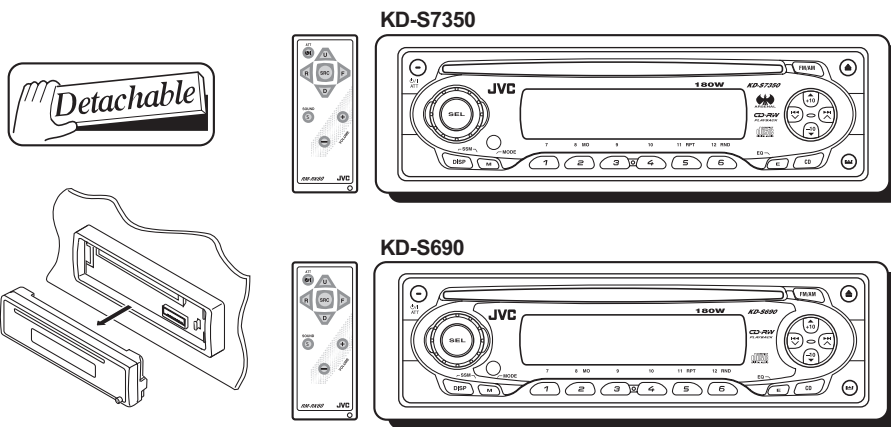


JVC

SERVICE MANUAL

CD RECEIVER

KD-S7350/KD-S690



Model	Rear LINE OUT terminal for front speaker
KD-S7350	Provide
KD-S690	Not provide

Area Suffix J Northern America
--


TABLE OF CONTENTS

1	Important Safety Precautions	1-2
2	Disassembly method	1-4
3	Adjustment.....	1-23
4	Description of major ICs.....	1-27

SECTION 1

Important Safety Precautions

1.1 Safety Precautions

 **CAUTION** Burrs formed during molding may be left over on some parts of the chassis. Therefore, pay attention to such burrs in the case of performing repair of this system.

 **CAUTION** Please use enough caution not to see the beam directly or touch it in case of an adjustment or operation check.

1.2 Preventing static electricity

Electrostatic discharge (ESD), which occurs when static electricity stored in the body, fabric, etc. is discharged, can destroy the laser diode in the traverse unit (optical pickup). Take care to prevent this when performing repairs.

1.2.1 Grounding to prevent damage by static electricity

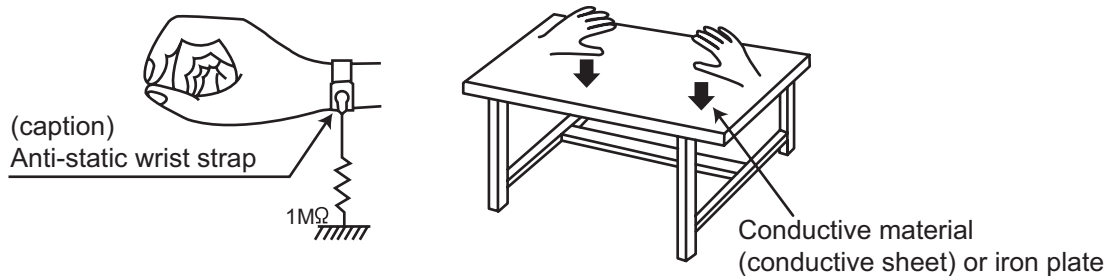
Static electricity in the work area can destroy the optical pickup (laser diode) in devices such as DVD players. Be careful to use proper grounding in the area where repairs are being performed.

(1) Ground the workbench

Ground the workbench by laying conductive material (such as a conductive sheet) or an iron plate over it before placing the traverse unit (optical pickup) on it.

(2) Ground yourself

Use an anti-static wrist strap to release any static electricity built up in your body.



(3) Handling the optical pickup

- In order to maintain quality during transport and before installation, both sides of the laser diode on the replacement optical pickup are shorted. After replacement, return the shorted parts to their original condition. (Refer to the text.)
- Do not use a tester to check the condition of the laser diode in the optical pickup. The tester's internal power source can easily destroy the laser diode.

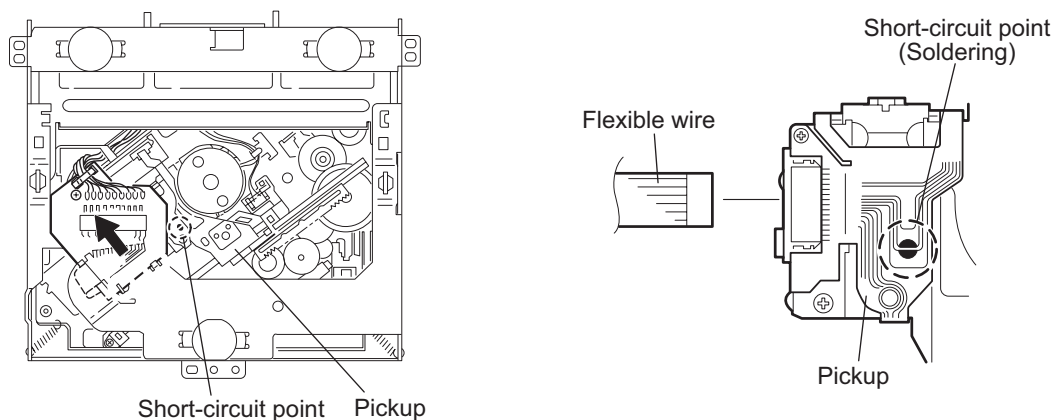
1.3 Handling the traverse unit (optical pickup)

- (1) Do not subject the traverse unit (optical pickup) to strong shocks, as it is a sensitive, complex unit.
- (2) Cut off the shorted part of the flexible cable using nippers, etc. after replacing the optical pickup. For specific details, refer to the replacement procedure in the text. Remove the anti-static pin when replacing the traverse unit. Be careful not to take too long a time when attaching it to the connector.
- (3) Handle the flexible cable carefully as it may break when subjected to strong force.
- (4) It is not possible to adjust the semi-fixed resistor that adjusts the laser power. Do not turn it.

1.4 Attention when traverse unit is decomposed

***Please refer to "Disassembly method" in the text for the CD pickup unit.**

- Apply solder to the short land before the flexible wire is disconnected from the connector on the CD pickup unit. (If the flexible wire is disconnected without applying solder, the CD pickup may be destroyed by static electricity.)
- In the assembly, be sure to remove solder from the short land after connecting the flexible wire.



SECTION 2

Disassembly method

2.1 Main body section

2.1.1 Removing the front panel assembly (See Fig.1.)

- (1) Push the detach button in the lower right part of the front panel assembly and remove the front panel assembly in the direction of the arrow.

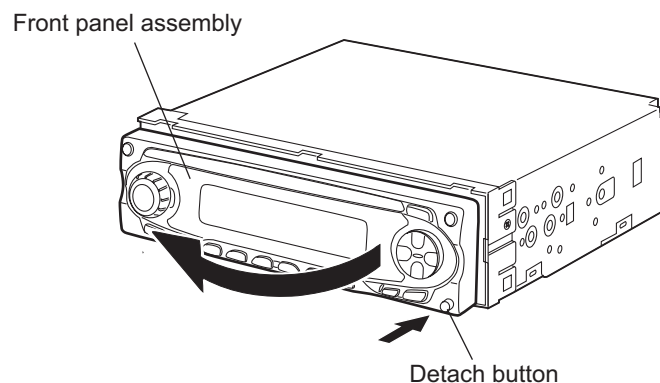


Fig.1

2.1.2 Removing the front chassis assembly (See Figs.2 and 3.)

- Prior to performing the following procedure, remove the front panel assembly.

- (1) Remove the two screws **A** on the both sides of the main body.
- (2) Release the two joints **a** and two joints **b** on both sides of the main body using a screwdriver, and remove the front chassis assembly forward.

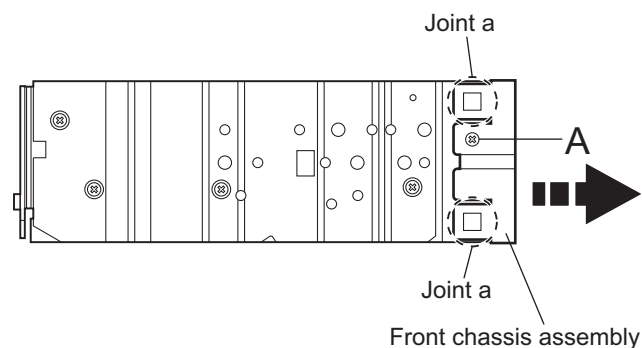


Fig.2

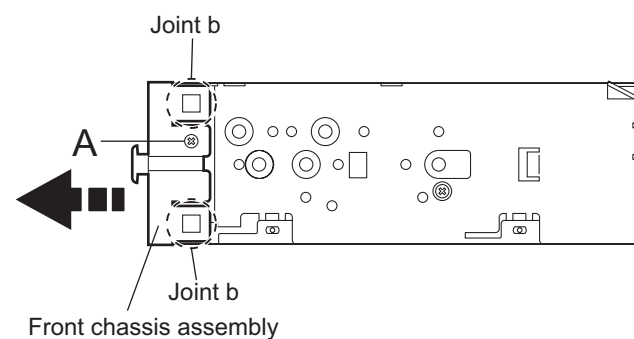


Fig.3

2.1.3 Removing the heat sink (See Fig.4.)

- (1) Remove the two screws **B** and two screws **C** on the left side of the main body.

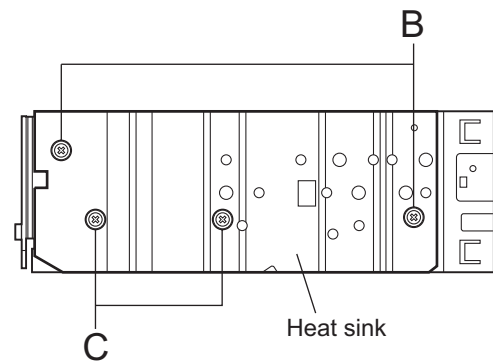


Fig.4

2.1.4 Removing the bottom cover (See Figs.5 and 6.)

- Prior to performing the following procedure, remove the front panel assembly, front chassis assembly and heat sink.
- (1) Turn over the body and release the two joints **c**, two joints **d** and joint **e**.

CAUTION:

Do not damage the main board when releasing the joint **e** using a screwdriver. (See Figs.5 and 6.)

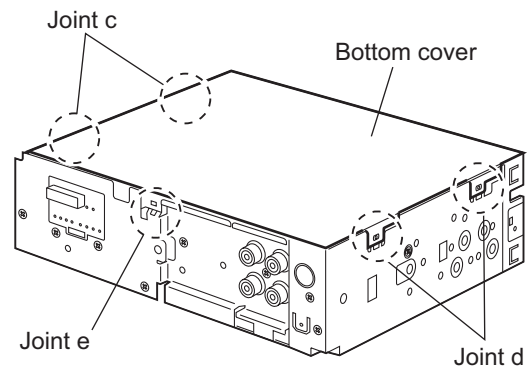


Fig.5

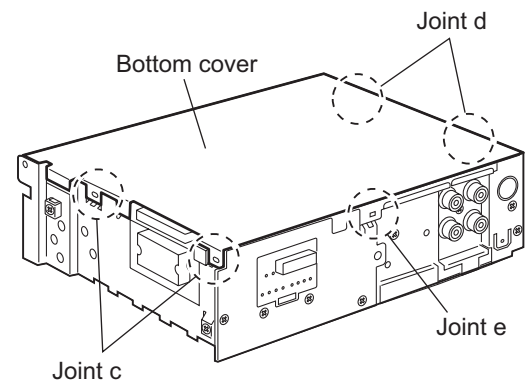


Fig.6

2.1.5 Removing the rear bracket (See Fig.7.)

- Prior to performing the following procedure, remove the front panel assembly, front chassis assembly, heat sink and bottom cover.
- (1) Remove the three screws **D**, three screws **E** and two screws **F** on the back of the body.
 - (2) Remove the rear bracket.

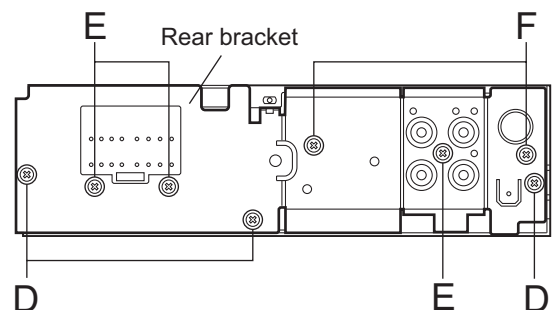


Fig.7

**2.1.6 Removing the main board assembly
(See Fig.8.)**

- Prior to performing the following procedure, remove the front panel assembly, front chassis assembly, heat sink, bottom cover and rear bracket
 - (1) Remove the two screws **G** attaching the main board.
 - (2) Disconnect the connector CN501 and remove the main board.

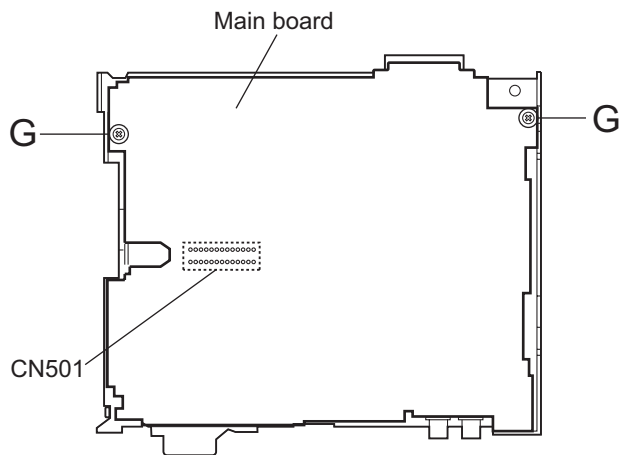


Fig.8

**2.1.7 Removing the CD mechanism assembly
(See Fig.9.)**

- Prior to performing the following procedure, remove the front panel assembly, front chassis assembly, heat sink, bottom cover, rear bracket and main board.
 - (1) Remove the three screws **H**.

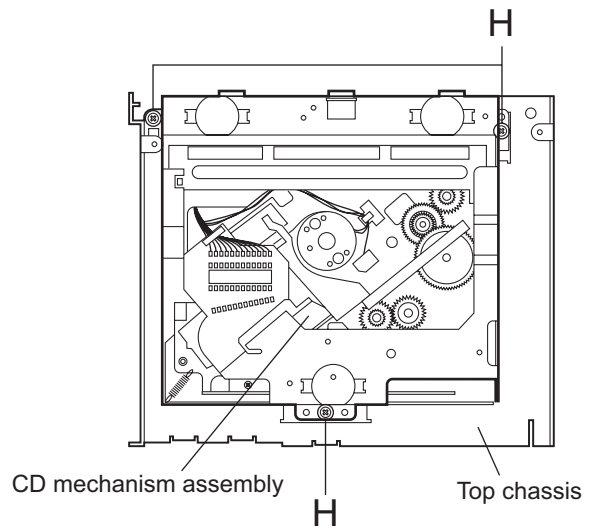


Fig.9

2.1.8 Removing the front board (See Figs.10 to 12.)

- Prior to performing the following procedure, remove the front panel assembly.
 - (1) Remove the four screws **J** on the back side of the front panel assembly.
 - (2) Release the fourteen joints **f**.
 - (3) Take out the front board.

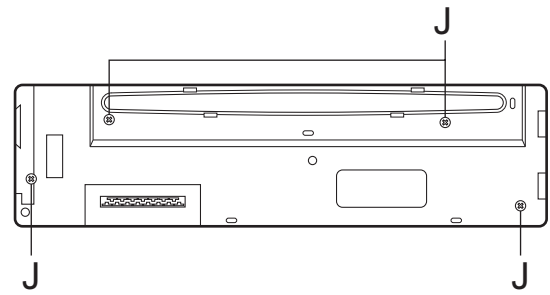


Fig.10

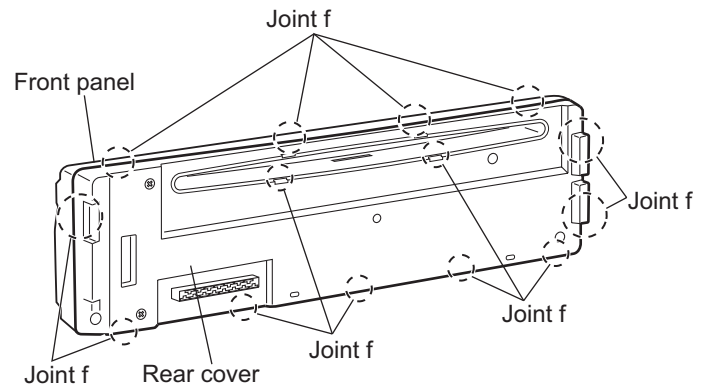


Fig.11

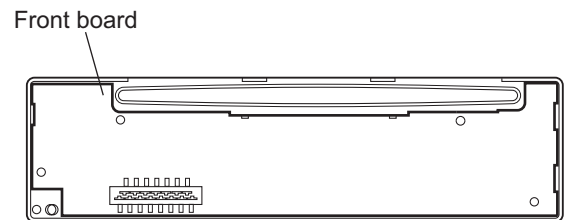


Fig.12

2.2 CD Mechanism Assembly

2.2.1 Removing the top cover (See Figs.1 and 2)

- (1) Remove the two screws **A** on the both side of the body.
- (2) Lift the front side of the top cover and move the top cover backward to release the two joints **a**.

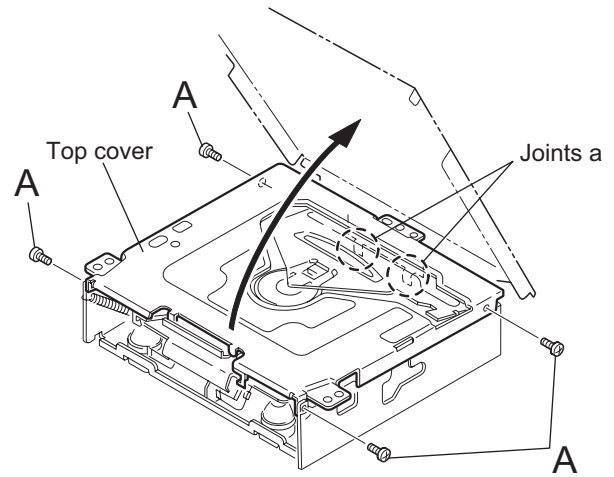


Fig.1

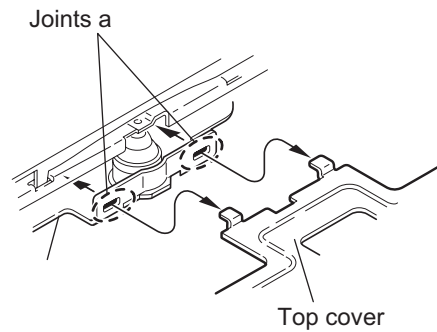


Fig.2

2.2.2 Removing the connector board (See Figs.3 to 5)

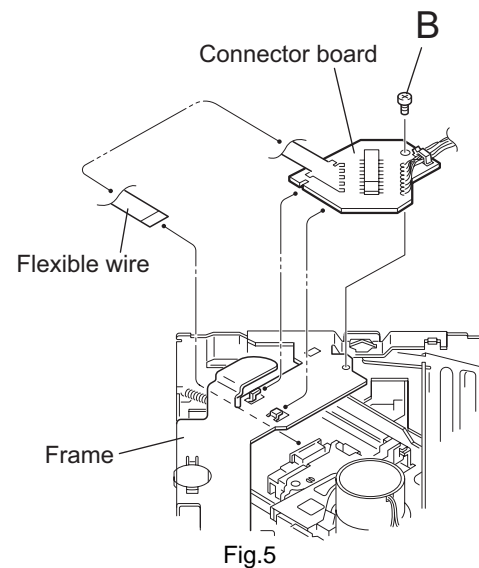
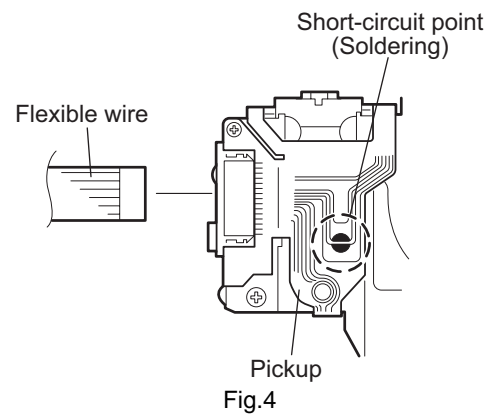
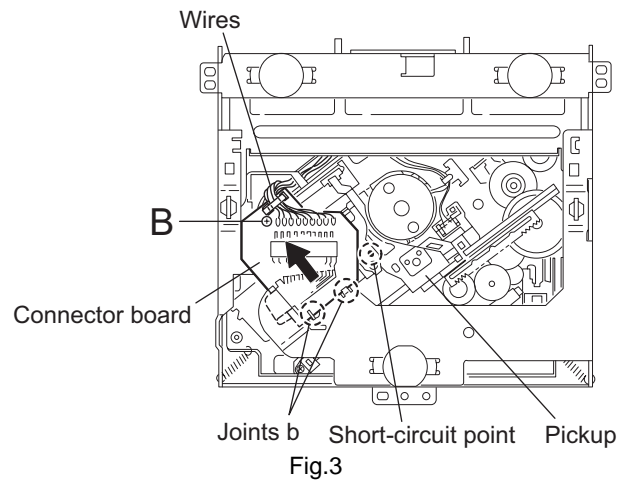
CAUTION:

Before disconnecting the flexible wire from the pickup, solder the short-circuit point on the pickup. No observance of this instruction may cause damage of the pickup.

- (1) Remove the screw **B** fixing the connector board.
- (2) Solder the short-circuit point on the connector board.
- (3) Disconnect the flexible wire from the pickup.
- (4) Move the connector board in the direction of the arrow to release the two joints **b**.
- (5) Unsolder the wire on the connector board if necessary.

CAUTION:

Unsolder the short-circuit point after reassembling.



2.2.3 Removing the DET switch (See Figs.6 and 7)

- (1) Extend the two tabs **c** of the feed sw. holder and pull out the switch.
- (2) Unsolder the DET switch wire if necessary.

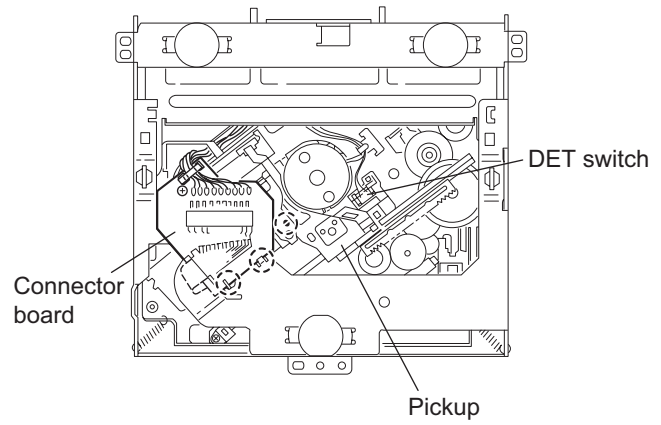


Fig.6

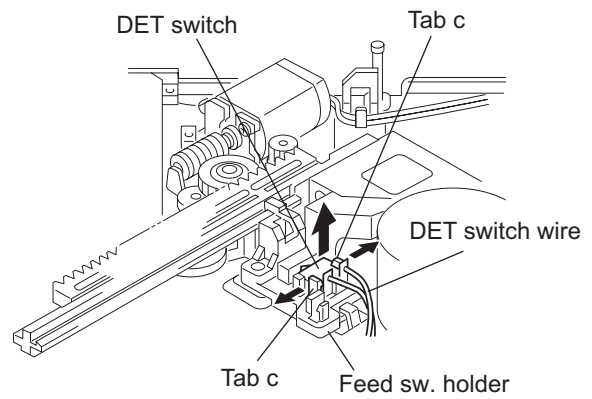


Fig.7

2.2.4 Removing the chassis unit (See Figs.8 and 9)

- Prior to performing the following procedure, remove the top cover and connector board.
- (1) Remove the two suspension springs (L) and (R) attaching the chassis unit to the frame.

CAUTION:

- The shape of the suspension spring (L) and (R) are different. Handle them with care.
- When reassembling, make sure that the three shafts on the underside of the chassis unit are inserted to the dampers certainly.

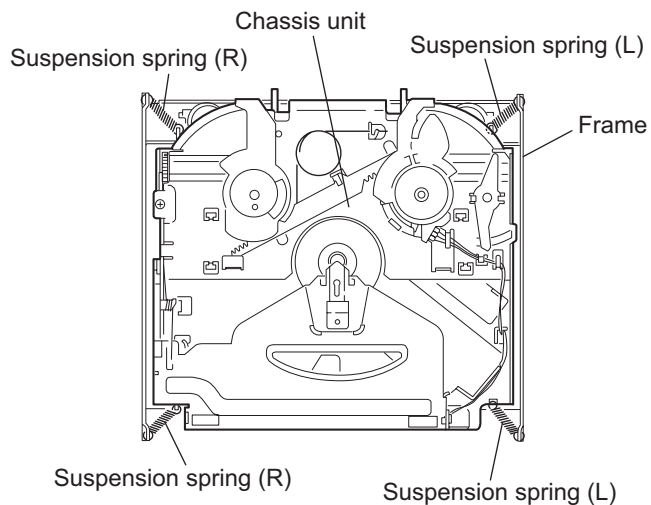


Fig.8

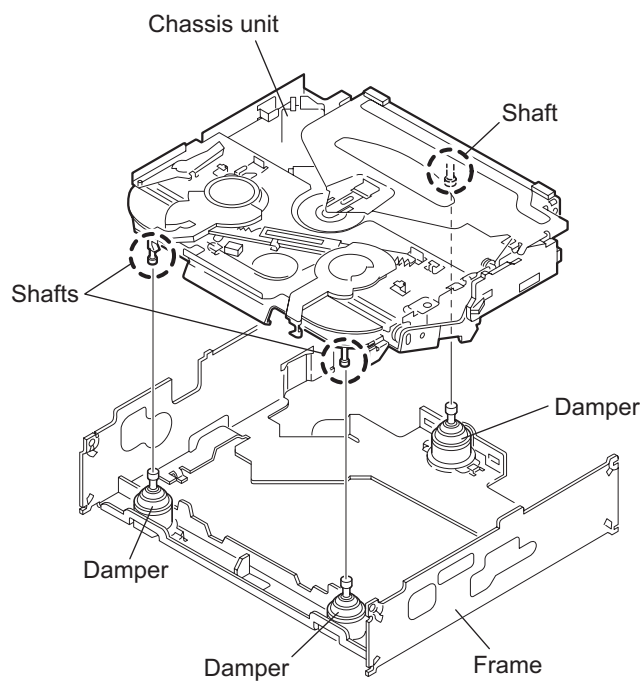
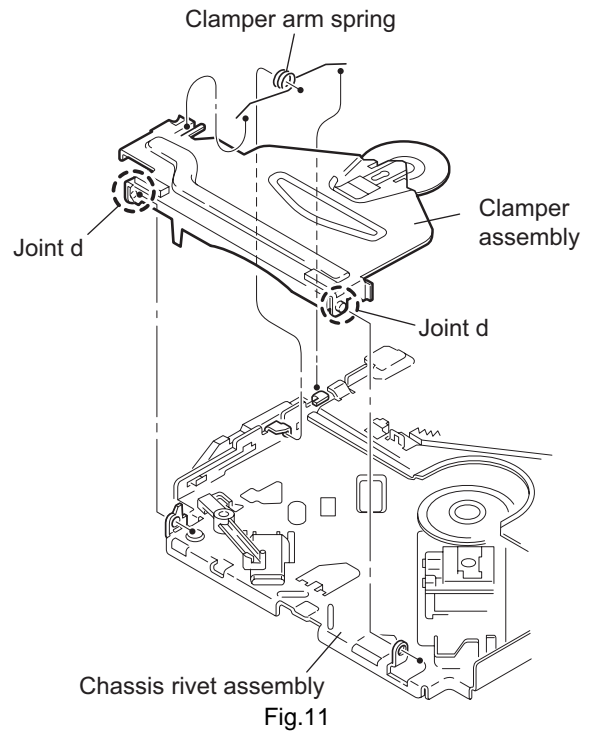
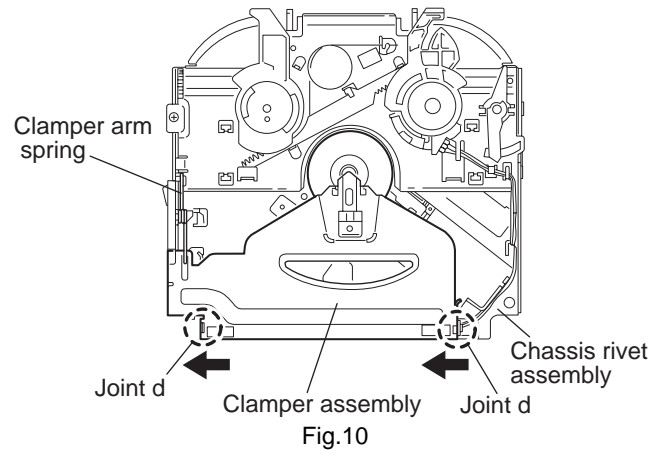


Fig.9

2.2.5 Removing the clamper assembly (See Figs.10 and 11)

- Prior to performing the following procedure, remove the top cover.
 - (1) Remove the clamper arm spring.
 - (2) Move the clamper assembly in the direction of the arrow to release the two joints **d**.

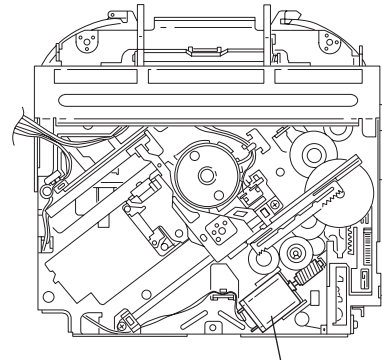


2.2.6 Removing the loading / feed motor assembly (See Figs.12 and 13)

- Prior to performing the following procedure, remove the top cover, connector board and chassis unit.
 - (1) Remove the screw **C** and move the loading / feed motor assembly in the direction of the arrow to remove it from the chassis rivet assembly.
 - (2) Disconnect the wire from the loading / feed motor assembly if necessary.

CAUTION:

When reassembling, connect the wire from the loading / feed motor assembly to the flame as shown in Fig.12.



Loading / feed motor assembly
Fig.12

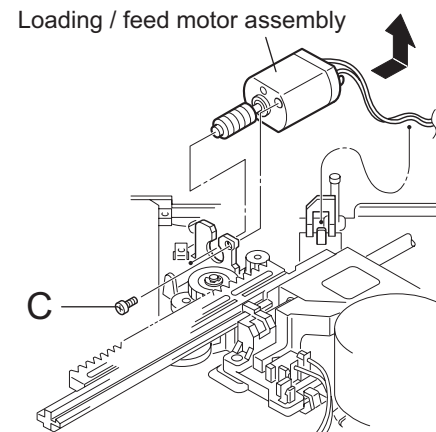


Fig.13

2.2.7 Removing the pickup unit (See Figs.14 to 18)

- Prior to performing the following procedure, remove the top cover, connector board and chassis unit.
- (1) Remove the screw **D** and pull out the pu. shaft holder from the pu. shaft.
- (2) Remove the screw **E** attaching the feed sw. holder.
- (3) Move the part **e** of the pickup unit upward with the pu. shaft and the feed sw. holder, then release the joint **f** of the feed sw. holder in the direction of the arrow. The joint **g** of the pickup unit and the feed rack is released, and the feed sw. holder comes off.
- (4) Remove the pu. shaft from the pickup unit.
- (5) Remove the screw **F** attaching the feed rack to the pickup unit.

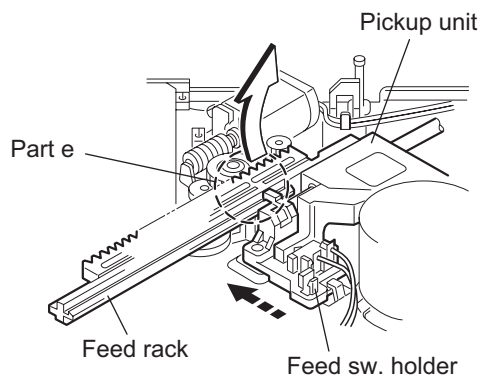


Fig.15

2.2.8 Reattaching the pickup unit (See Figs.14 to 17)

- (1) Reattach the feed rack to the pickup unit using the screw **F**.
- (2) Reattach the feed sw. holder to the feed rack while setting the joint **g** to the slot of the feed rack and setting the part **f** of the feed rack to the switch of the feed sw. holder correctly.
- (3) As the feed sw. holder is temporarily attached to the pickup unit, set to the gear of the joint **g** and to the bending part of the chassis (joint **h**) at a time.

CAUTION:

Make sure that the part **i** on the underside of the feed rack is certainly inserted to the slot **j** of the change lock lever.

- (4) Reattach the feed sw. holder using the screw **E**.
- (5) Reattach the pu. shaft to the pickup unit. Reattach the pu. shaft holder to the pu. shaft using the screw **D**.

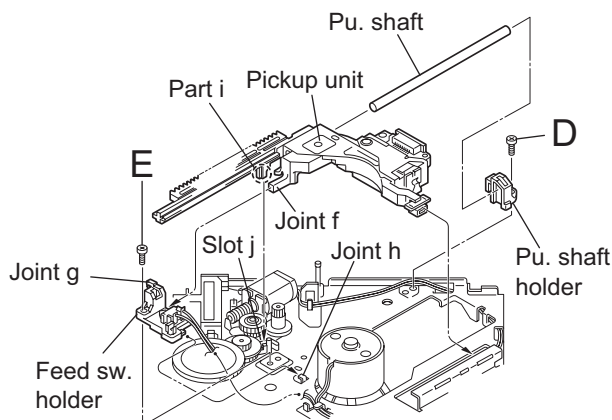


Fig.16

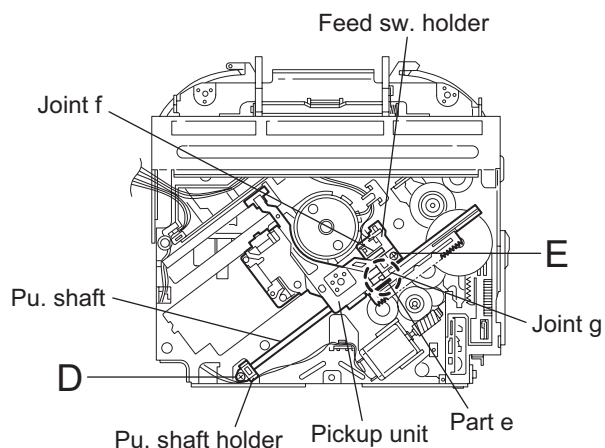


Fig.14

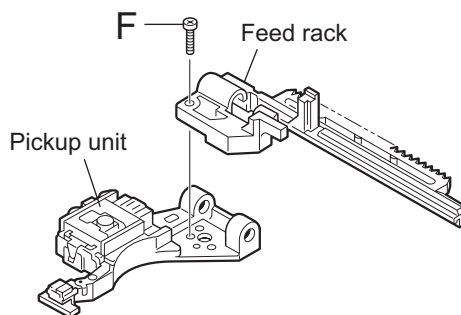


Fig.17

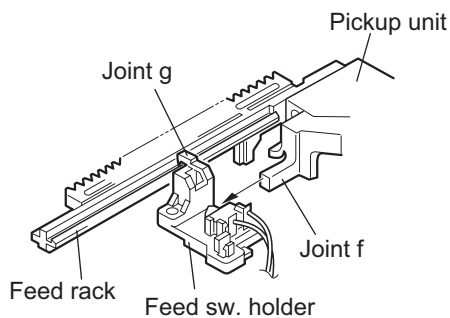


Fig.18

2.2.9 Removing the trigger arm (See Figs.19 and 20)

- Prior to performing the following procedure, remove the top cover, connector board and clasper unit.
- (1) Turn the trigger arm in the direction of the arrow to release the joint **k** and pull out upward.

CAUTION:

When reassembling, insert the part **m** and **n** of the trigger arm into the part **p** and **q** at the slot of the chassis rivet assembly respectively and join the joint **k** at a time.

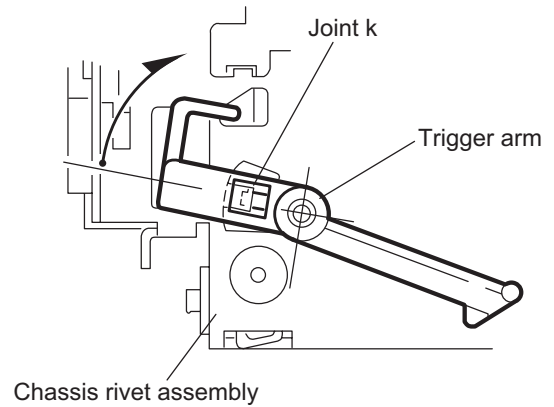


Fig.19

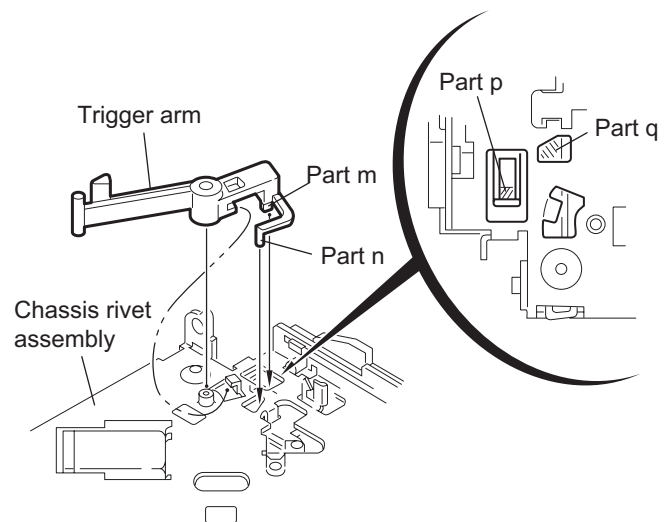


Fig.20

2.2.10 Removing the top plate assembly (See Fig.21)

- Prior to performing the following procedure, remove the top cover, connector board, chassis unit, and clasper assembly.
- (1) Remove the screw **H**.
- (2) Move the top plate assembly in the direction of the arrow to release the two joints **r**.
- (3) Unsolder the wire marked **s** if necessary.

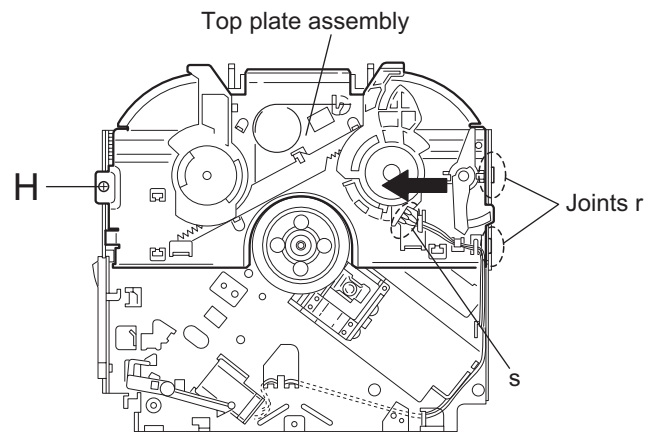


Fig.21

2.2.11 Removing the mode sw. / select lock arm
(See Figs.22 and 23)

- Prior to performing the following procedure, remove the top plate assembly.
 - (1) Bring up the mode sw. to release from the link plate (joint t) and turn in the direction of the arrow to release the joint u.
 - (2) Unsolder the wire of the mode sw. marked s if necessary.
 - (3) Turn the select lock arm in the direction of the arrow to release the two joints v.
 - (4) The select lock arm spring comes off the select lock arm at the same time.

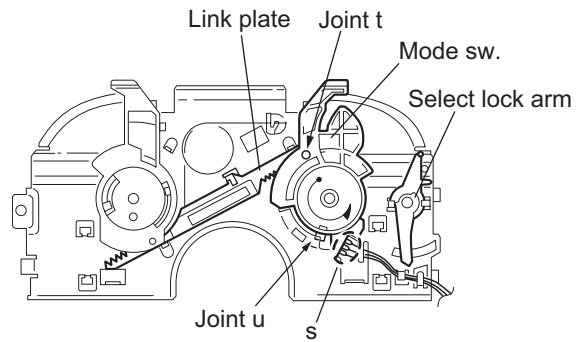


Fig.22

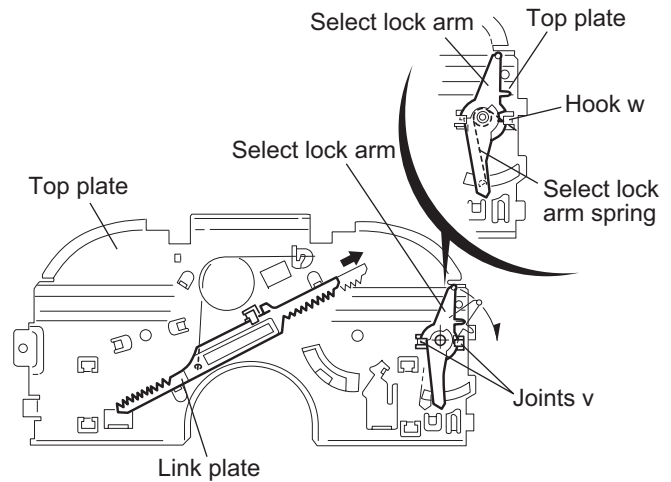


Fig.23

2.2.12 Reassembling the mode sw. / select lock arm (See Figs.24 to 26)

REFERENCE:

Reverse the above removing procedure.

- (1) Reattach the select lock arm spring to the top plate and set the shorter end of the select lock arm spring to the hook w on the top plate.
- (2) Set the other longer end of the select lock arm spring to the boss x on the underside of the select lock arm, and join the select lock arm to the slots (joint v). Turn the select lock arm as shown in the figure.
- (3) Reattach the mode sw. while setting the part t to the first peak of the link plate gear, and join the joint u.

CAUTION:

When reattaching the mode sw., check if the points y and z are correctly fitted and if each part operates properly.

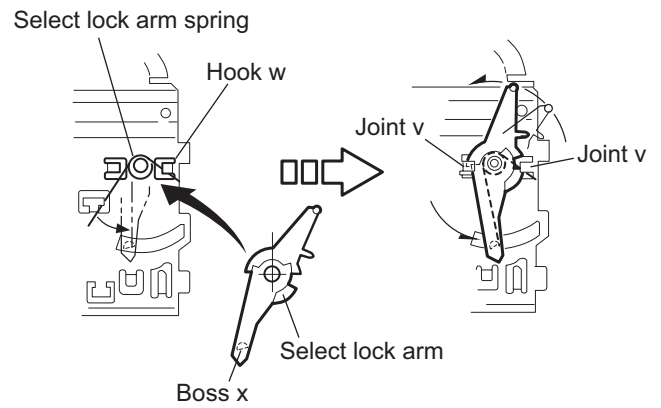


Fig.24

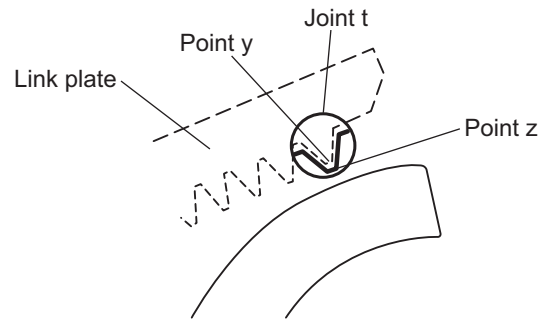


Fig.25

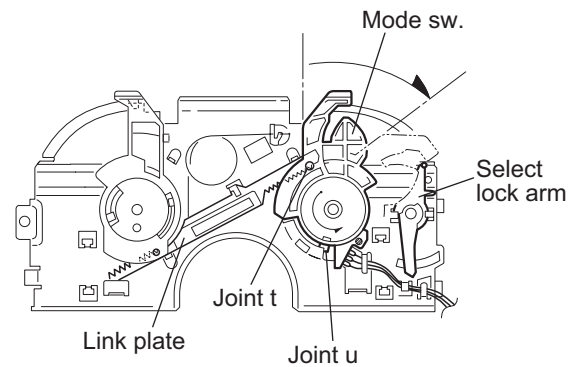


Fig.26

2.2.13 Removing the select arm R / link plate
(See Figs.27 and 28)

- Prior to performing the following procedure, remove the top plate assembly.

- (1) Bring up the select arm R to release from the link plate (joint a') and turn as shown in the figure to release the two joints b' and joint c'.
- (2) Move the link plate in the direction of the arrow to release the joint d'. Remove the link plate spring at the same time.

REFERENCE:

Before removing the link plate, remove the mode sw.

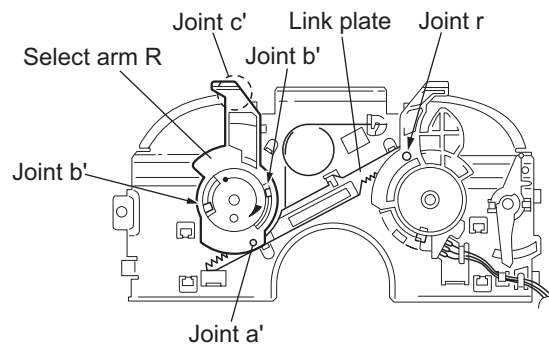


Fig.27

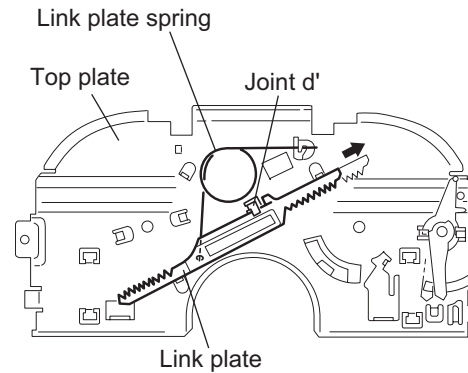


Fig.28

2.2.14 Reattaching the Select arm R / link plate
(See Figs.29 and 30)

REFERENCE:

Reverse the above removing procedure.

- (1) Reattach the link plate spring.
- (2) Reattach the link plate to the link plate spring while joining them at joint d'.
- (3) Reattach the joint a' of the select arm R to the first peak of the link plate while joining the two joints b' with the slots. Then turn the select arm R as shown in the figure. The top plate is joined to the joint c'.

CAUTION:

When reattaching the select arm R, check if the points e' and f' are correctly fitted and if each part operates properly.

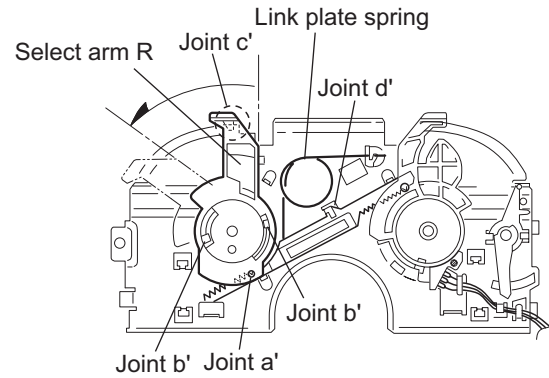


Fig.29

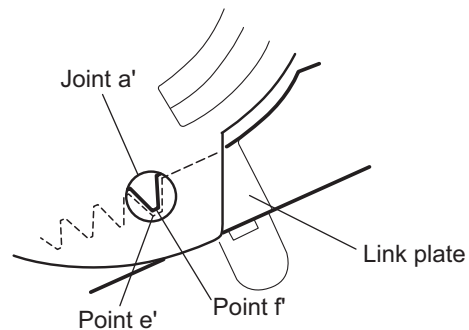


Fig.30

2.2.15 Removing the loading roller assembly
(See Figs.31 to 33)

- Prior to performing the following procedure, remove the clamper assembly and top plate assembly.
- (1) Push inward the loading roller assembly on the gear side and detach it upward from the slot of the joint **g'** of the lock arm rivet assembly.
- (2) Detach the loading roller assembly from the slot of the joint **h'** of the lock arm rivet assembly.

The roller guide comes off the gear section of the loading roller assembly.

Remove the roller guide and the HL washer from the shaft of the loading roller assembly.

- (3) Remove the screw **J** attaching the lock arm rivet assembly.
- (4) Push the shaft at the joint **i'** of the lock arm rivet assembly inward to release the lock arm rivet assembly from the slot of the L side plate.
- (5) Extend the lock arm rivet assembly outward and release the joint **j'** from the boss of the chassis rivet assembly. The roller guide springs on both sides come off at the same time.

CAUTION:

When reassembling, reattach the left and right roller guide springs to the lock arm rivet assembly before reattaching the lock arm rivet assembly to the chassis rivet assembly. Make sure to fit the part **k'** of the roller guide spring inside of the roller guide. (Refer to Fig.34.)

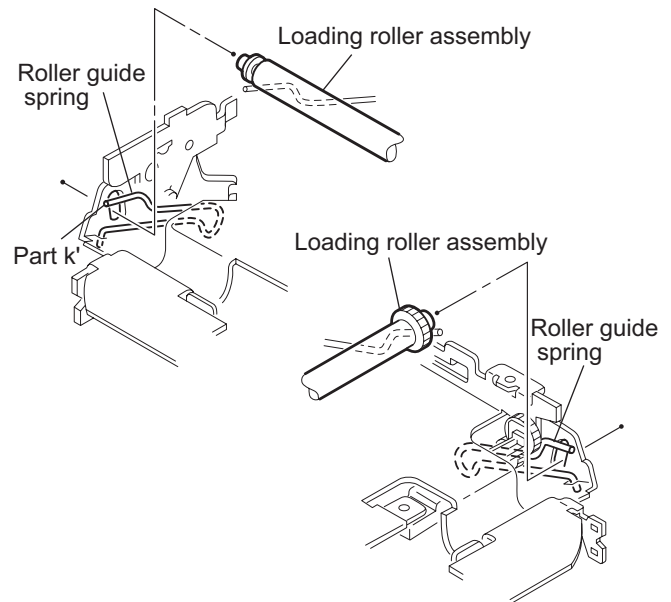


Fig.32

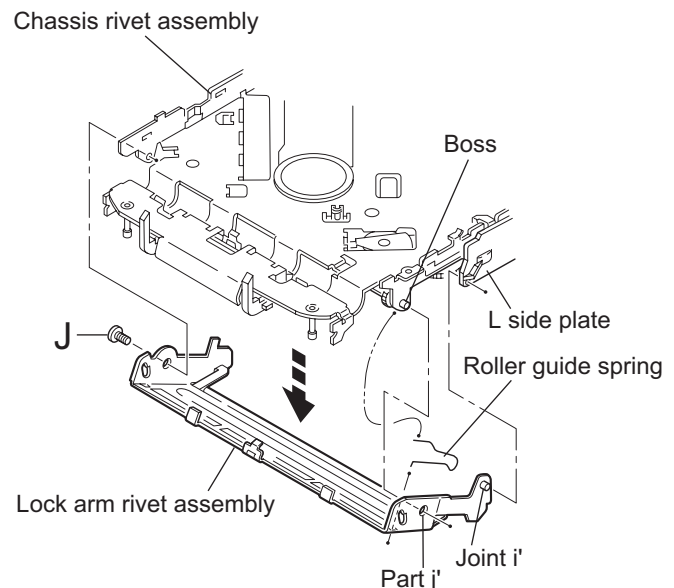


Fig.33

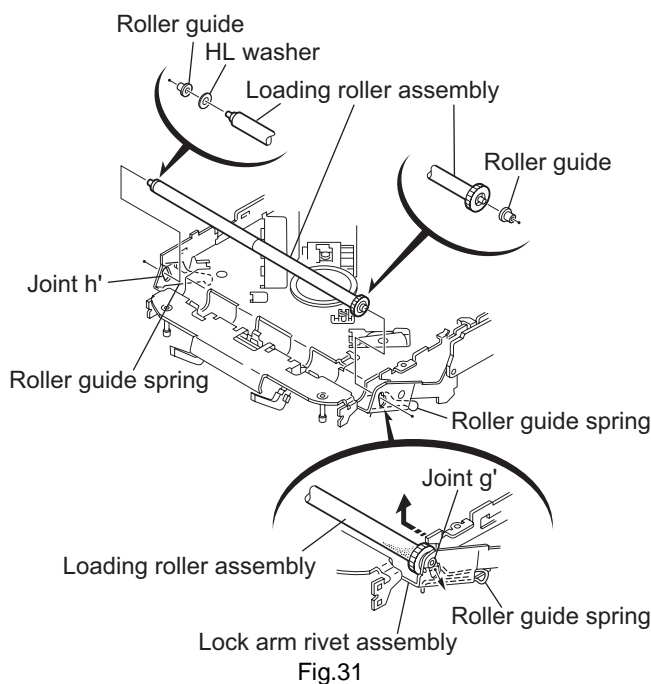


Fig.31

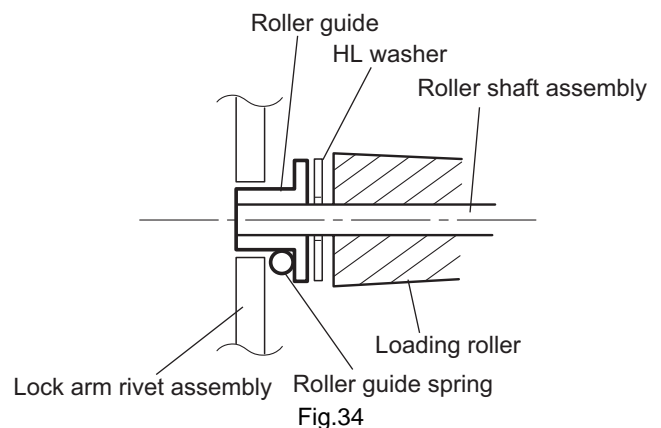
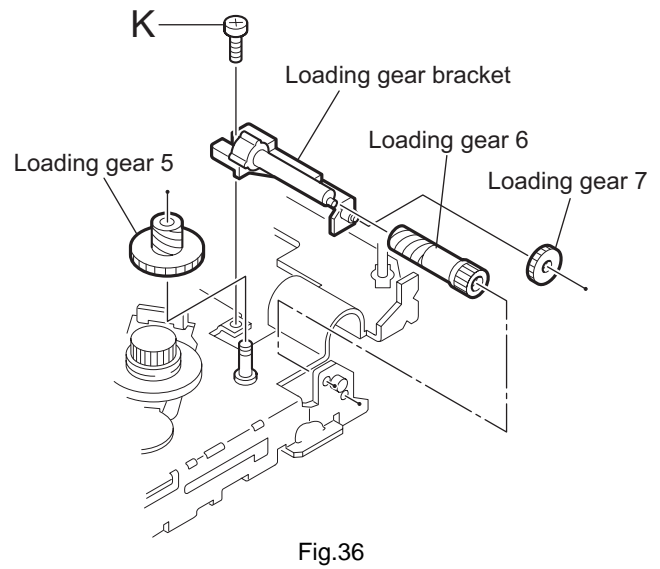
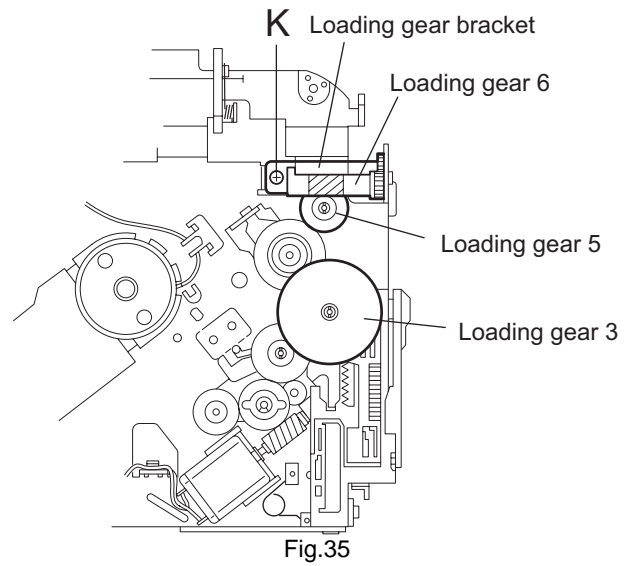


Fig.34

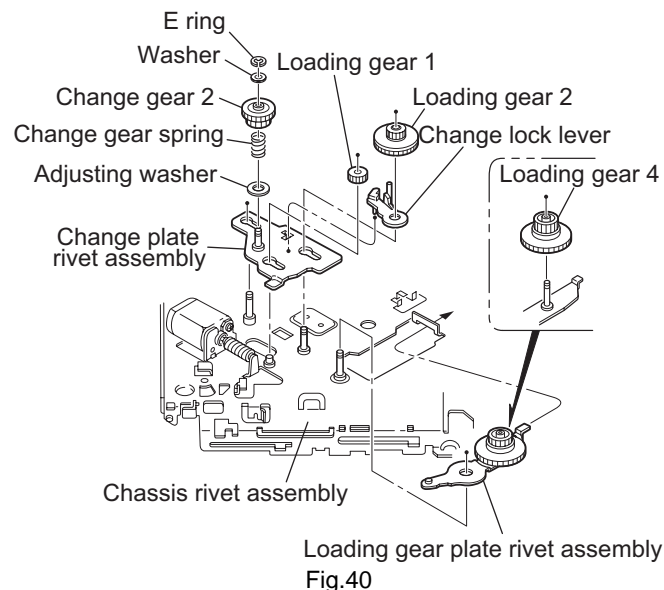
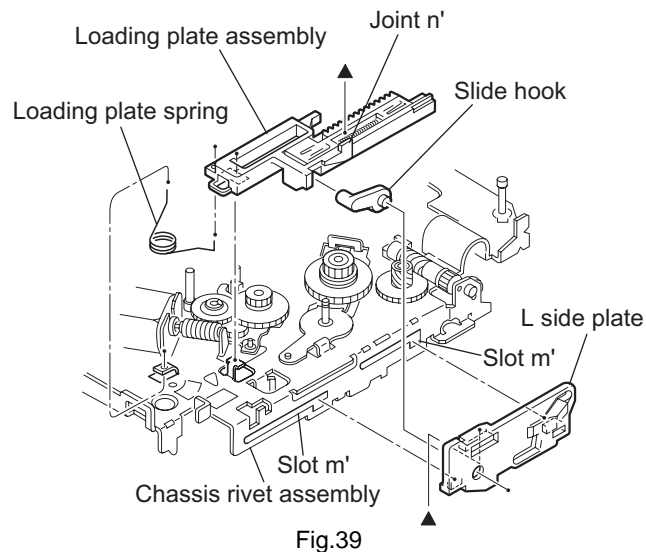
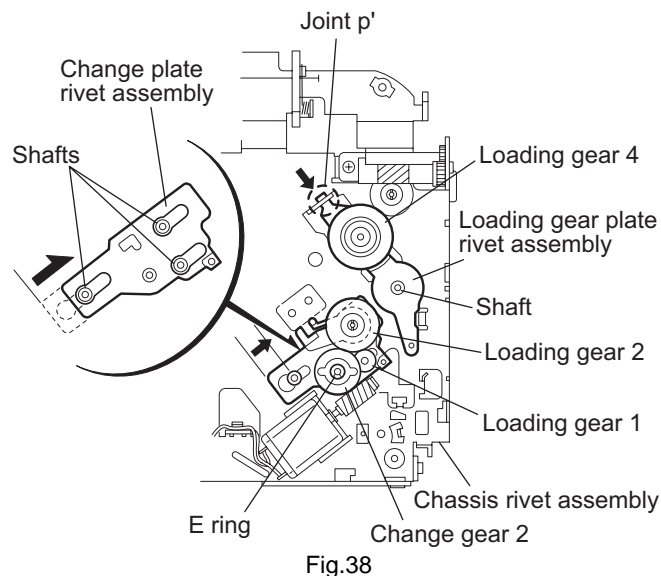
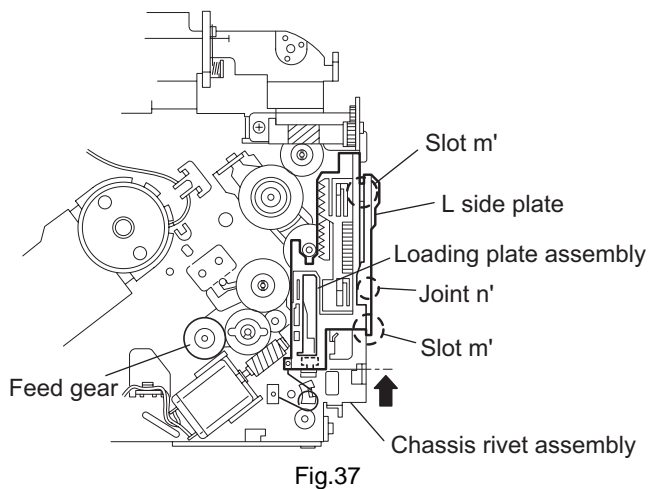
**2.2.16 Removing the loading gear 5, 6 and 7
(See Figs.35 and 36)**

- Prior to performing the following procedure, remove the top cover, chassis unit, pickup unit and top plate assembly.
 - (1) Remove the screw **K** attaching the loading gear bracket. The loading gear 6 and 7 come off the loading gear bracket.
 - (2) Pull out the loading gear 5.



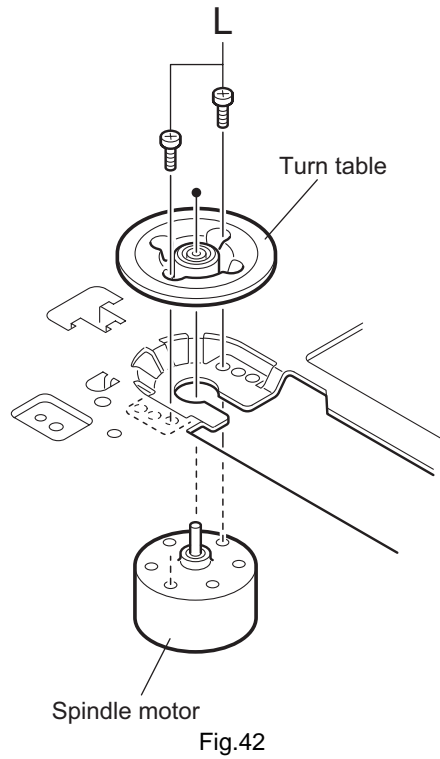
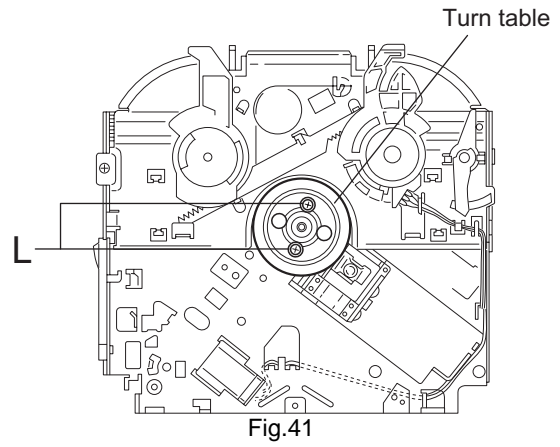
2.2.17 Removing the gears
(See Figs.37 to 40)

- Prior to performing the following procedure, remove the top cover, chassis unit, top plate assembly and pickup unit.
- Pull out the loading gear 3. (See Fig.35.)
 - (1) Pull out the feed gear.
 - (2) Move the loading plate assembly in the direction of the arrow to release the L side plate from the two slots m' of the chassis rivet assembly. (See Fig.37.)
 - (3) Detach the loading plate assembly upward from the chassis rivet assembly while releasing the joint n'. Remove the slide hook and loading plate spring from the loading plate assembly.
 - (4) Pull out the loading gear 2 and remove the change lock lever.
 - (5) Remove the E ring and washer attaching the changer gear 2.
 - (6) The changer gear 2, change gear spring and adjusting washer come off.
 - (7) Remove the loading gear 1.
 - (8) Move the change plate rivet assembly in the direction of the arrow to release from the three shafts of the chassis rivet assembly upward. (See Fig.38.)
 - (9) Detach the loading gear plate rivet assembly from the shaft of the chassis rivet assembly upward while releasing the joint p'. (See Figs.38 and 40.)
 - (10) Pull out the loading gear 4.



2.2.18 Removing the turn table / spindle motor
(See Figs.41 and 42)

- Prior to performing the following procedure, remove the top cover, connector board, chassis unit and clasper assembly.
 - (1) Remove the two screws **L** attaching the spindle motor assembly through the slot of the turn table on top of the body.
 - (2) Unsolder the wire on the connector board if necessary.



SECTION 3 Adjustment

3.1 Adjustment method

■ Test instruments required for adjustment

1. Digital oscilloscope (100MHz)
2. AM Standard signal generator
3. FM Standard signal generator
4. Stereo modulator
5. Electric voltmeter
6. Digital tester
7. Tracking offset meter
8. Test Disc JVC : CTS-1000
9. Extension cable for check
EXTSH002-22P × 1

■ Standard volume position

Balance and Bass & Treble volume : Indication"0"
Loudness : OFF
BBE : OFF

■ Frequency Band

FM 87.5MHz ~ 107.9MHz
AM 530kHz ~ 1710kHz

■ Dummy load

Exclusive dummy load should be used for AM, and FM. For FM dummy load, there is a loss of 6dB between SSG output and antenna input. The loss of 6dB need not be considered since direct reading of figures are applied in this working standard.

■ Standard measuring conditions

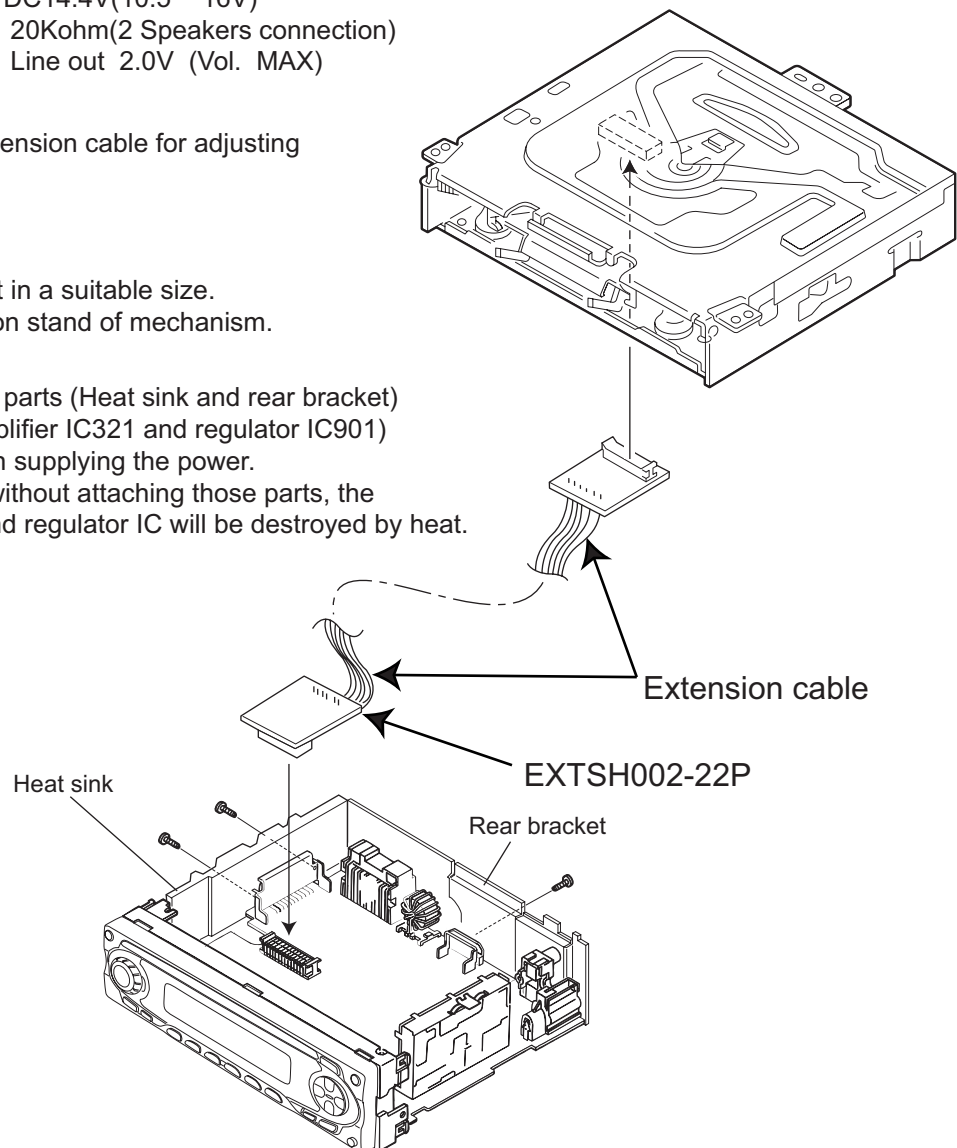
Power supply voltage DC14.4V(10.5 ~ 16V)
Load impedance 20Kohm(2 Speakers connection)
Output Level Line out 2.0V (Vol. MAX)

■ How to connect the extension cable for adjusting

*The cardboard is cut in a suitable size.
uses for the insulation stand of mechanism.

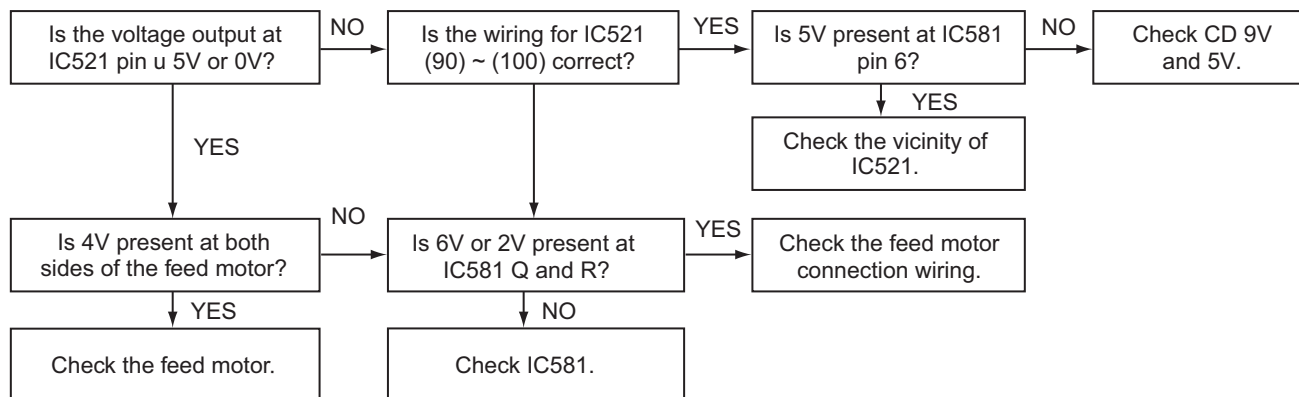
CAUTION :

Be sure to attach the parts (Heat sink and rear bracket)
on the IC (Power amplifier IC321 and regulator IC901)
of a main board when supplying the power.
If voltage is applied without attaching those parts, the
power amplifier IC and regulator IC will be destroyed by heat.

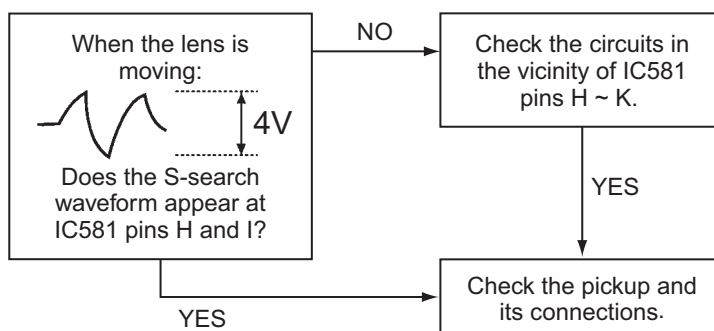


3.2 Troubleshooting

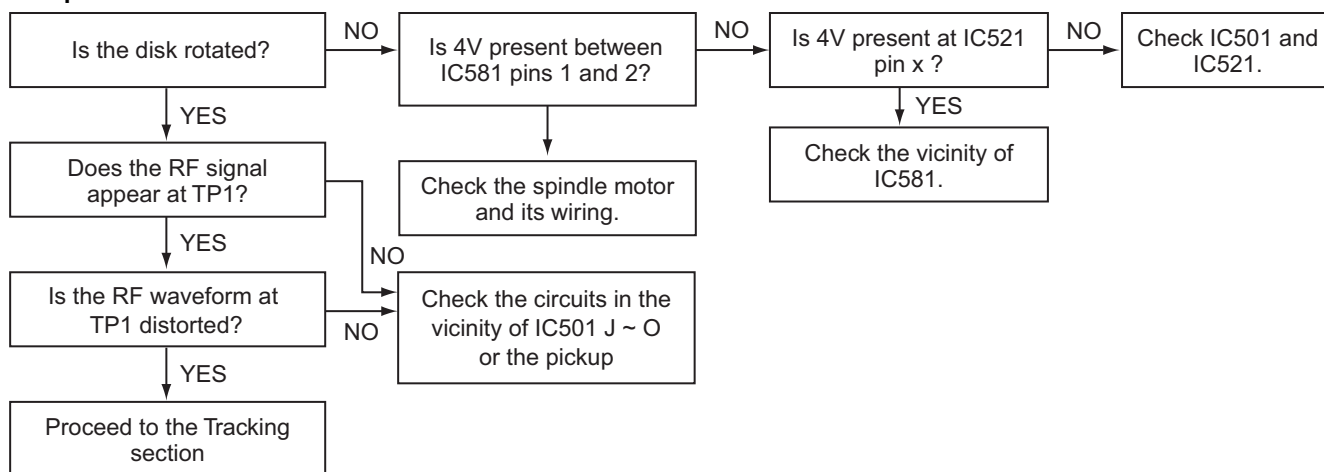
3.2.1 Feed section



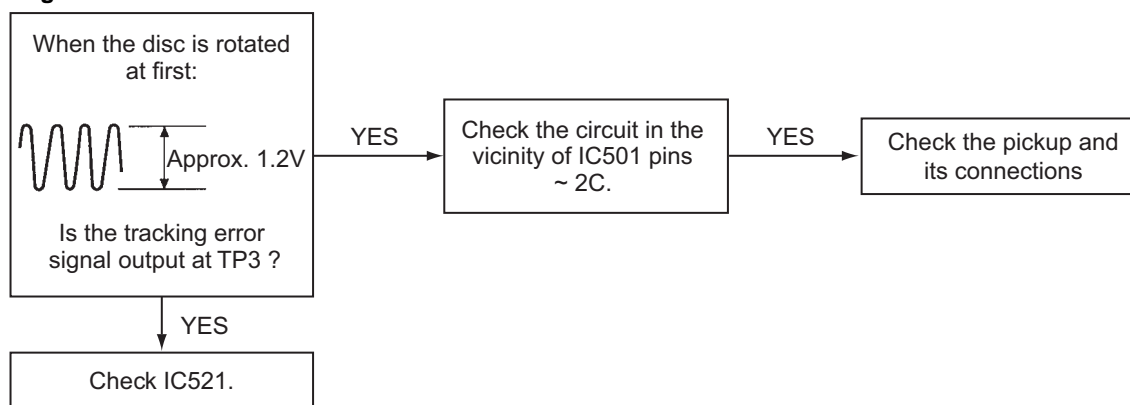
3.2.2 Focus section



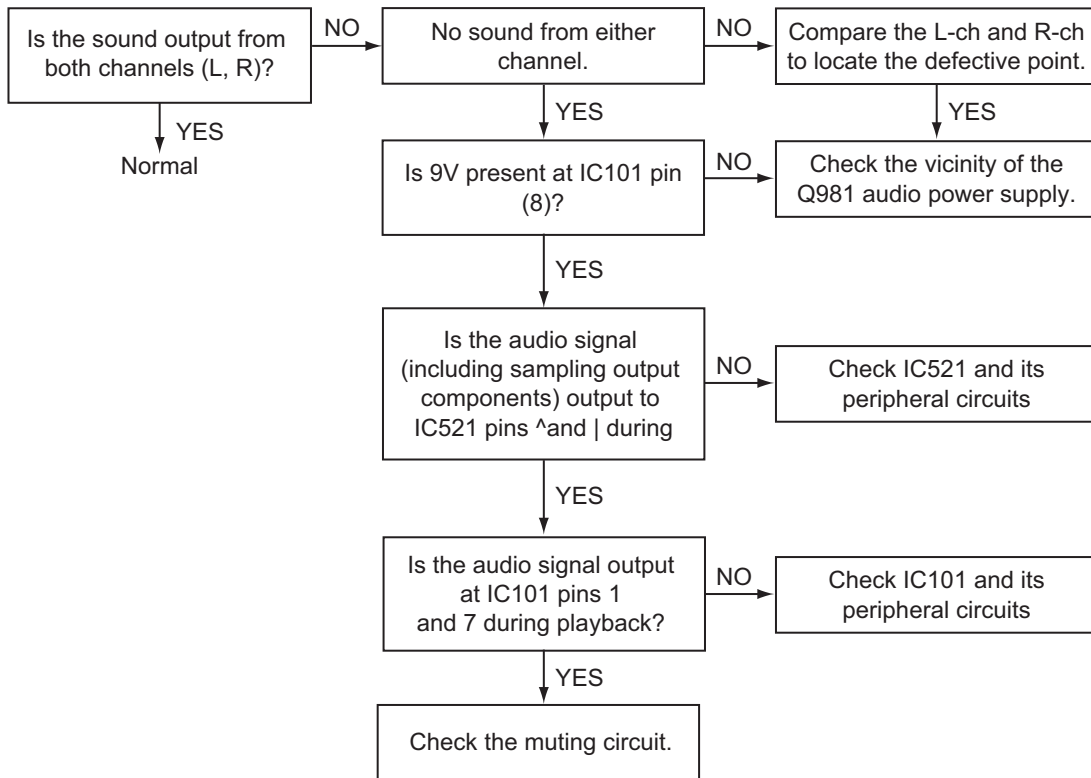
3.2.3 Spindle section



3.2.4 Tracking section



3.2.5 Signal processing section



3.3 Maintenance of laser pickup

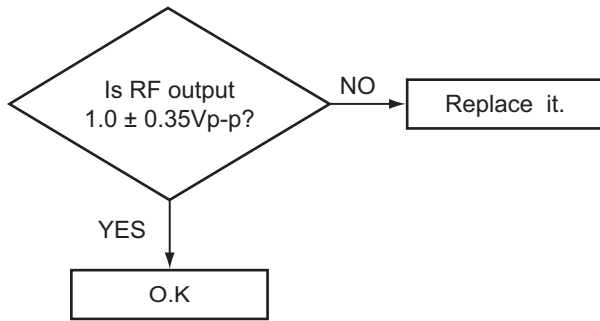
(1) Cleaning the pick up lens

Before you replace the pick up, please try to clean the lens with a alcohol soaked cotton swab.

(2) Life of the laser diode

When the life of the laser diode has expired, the following symptoms will appear.

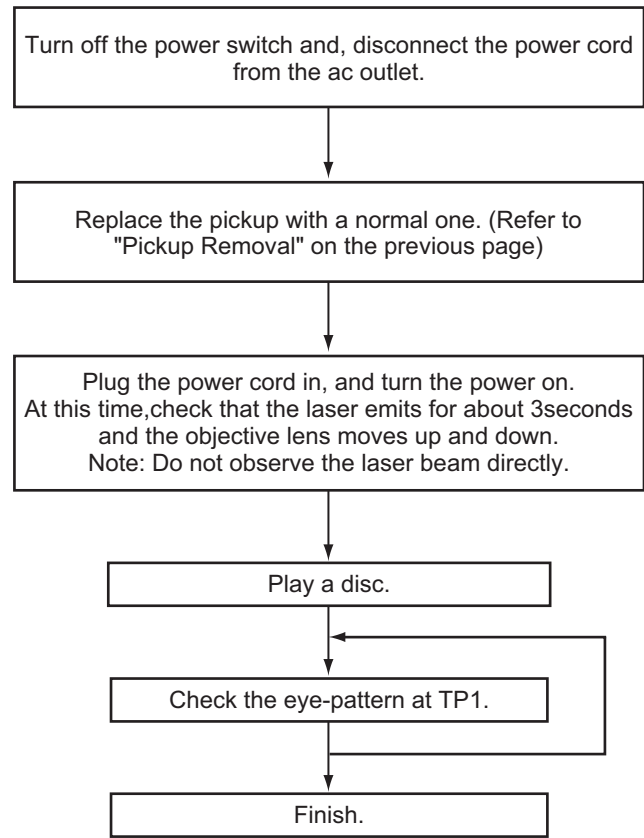
- The level of RF output (EFM output: amplitude of eye pattern) will be low.



(3) Semi-fixed resistor on the APC PC board

The semi-fixed resistor on the APC printed circuit board which is attached to the pickup is used to adjust the laser power. Since this adjustment should be performed to match the characteristics of the whole optical block, do not touch the semi-fixed resistor. If the laser power is lower than the specified value, the laser diode is almost worn out, and the laser pickup should be replaced. If the semi-fixed resistor is adjusted while the pickup is functioning normally, the laser pickup may be damaged due to excessive current.

3.4 Replacement of laser pickup

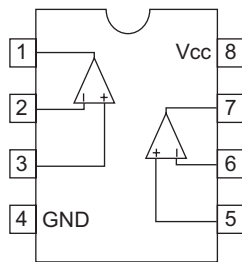


SECTION 4

Description of major ICs

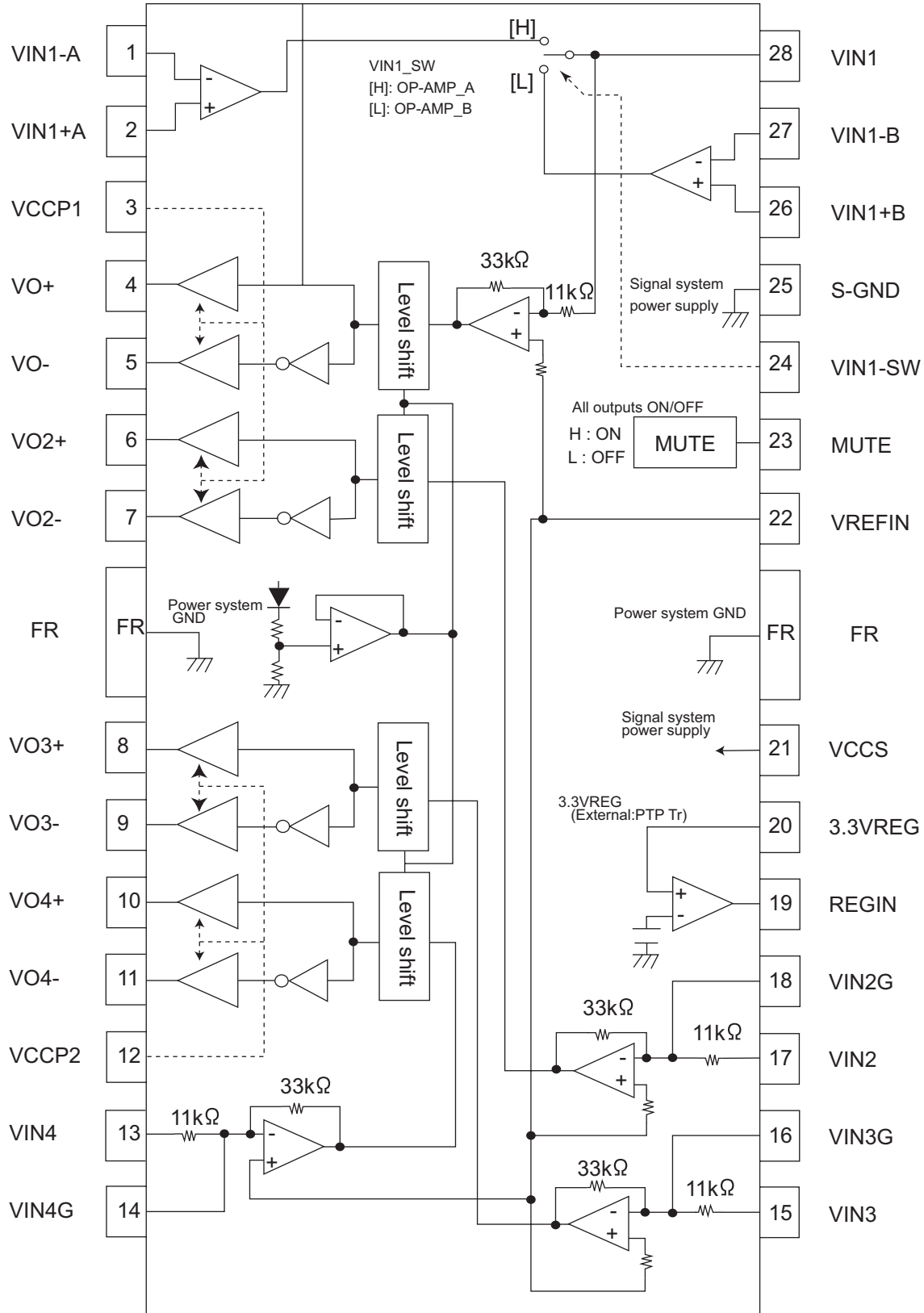
4.1 HA17558F (IC571) : Ope. amp.

- Pin layout & Block diagram



4.2 LA6579H (IC561) : 4-Channel bridge driver

- Pin layout & Block diagram

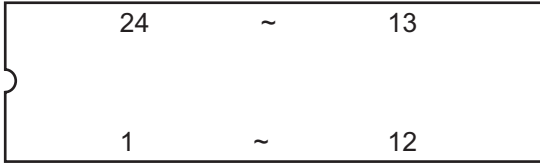


- Pin function

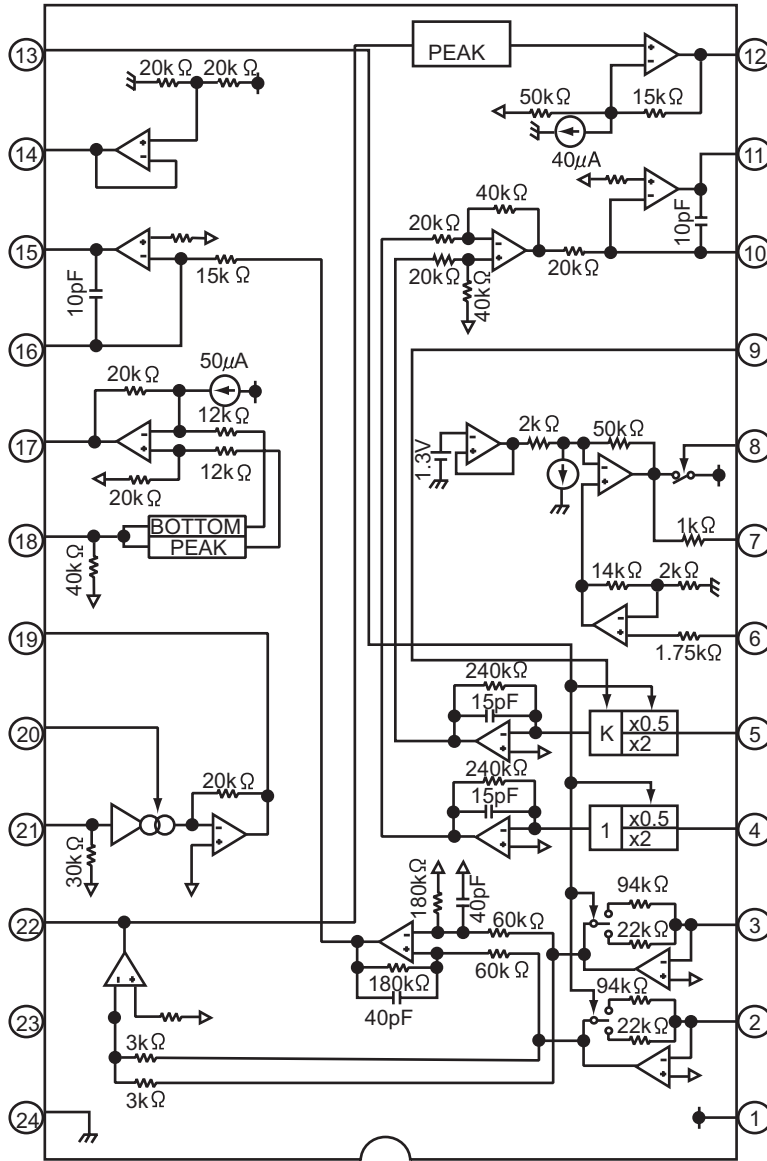
Pin No.	Symbol	Function
1	VIN1-A	CH1 input AMP_inverted input
2	VIN1+A	CH1 input AMP_non-inverted input
3	VCCP1	CH1 and CH2 power stage power supply
4	VO1+	Output pin(+)for channel 1
5	VO1-	CH1 output pin (-) for channel 1
6	VO2+	Output pin(+)for channel 2
7	VO2-	Output pin(-)for channel 2
8	VO3+	Output pin(+)for channel 3
9	VO3-	Output pin(-)for channel 3
10	VO4+	Output pin(+)for channel 4
11	VO4-	Output pin(-)for channel 4
12	VCCP2	CH3 and CH4 power stage powr supply
13	VIN4	Input pin for channel 4
14	VIN4G	Input pin for channel 4(for gain adjustment)
15	VIN3	Input pin for channel 3
16	VIN3G	Input pin for channel 3(for gain adjustment)
17	VIN2	Input pin for channel 2
18	VIN2G	Input pin for channel 2(for gain adjustment)
19	REGIN	External PNP transistor base connection
20	3.3VREG	3.3VREG output pin external PNP transistor, collector connection
21	VCCS	Signal system GND
22	VREFIN	Reference voltage application pin
23	MUTE	Output ON/OFF pin
24	VIN1_SW	CH1 input OP AMP_changeover pin
25	S_GND	Signal system GND
26	VIN1+B	CH1 AMP_B non-inverted input pin
27	VIN1-B	CH1 AMP_B inverted input pin
28	VIN1	CH1 input pin input OP_AMP output pin

4.3 TA2157FN (IC501) : RF amp

- Pin layout



- Block diagram



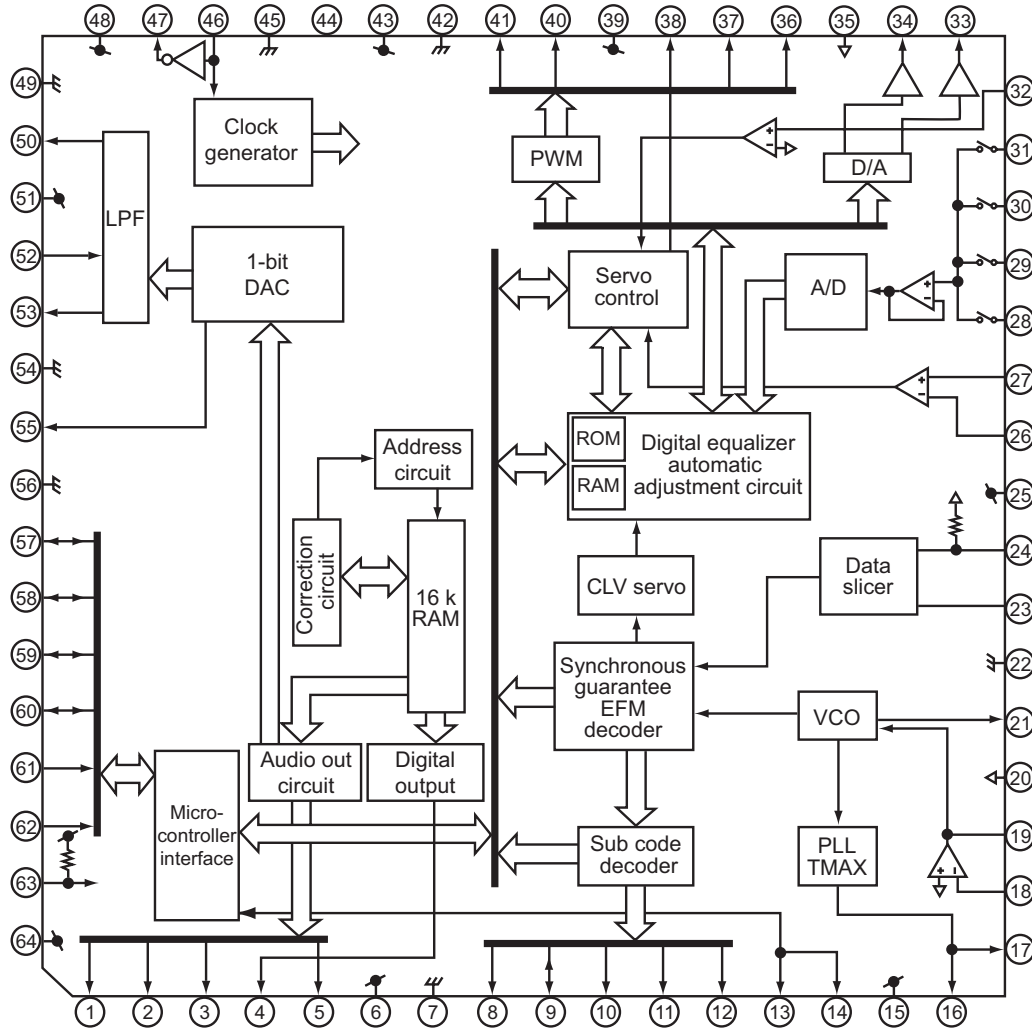
VCTRLPIN \ PIN	SEL (APC SW)	TEB (TE BAL)	RFGC (AGC Gian)	TEB (TE BAL)
VCC	APC ON	-50%	+12dB	Normal mode (0dB)
HiZ	APC ON	0%	+6dB	Normal mode (0dB)
GND	APC OFF (LDO=H)	+50%	0dB	CD-RW mode (+12dB)

• Pin function

Pin No.	Symbol	I/O	Function												
1	VCC	-	3.3V power supply pin												
2	FNI	I	Main-beam amp input pin												
3	FPI	I	Main-beam amp input pin												
4	TPI	I	Sub-beam amp input pin												
5	TNI	I	Sub-beam amp input pin												
6	MDI	I	Monitor photo diode amp input pin												
7	LDO	O	Laser diode amp output pin												
8	SEL	I	"APC circuit ON/OFF control signal, laser diode (LDO) control signal input or bottom/peak detection frequency change pin." <table border="1" data-bbox="634 537 1222 722"> <tr> <td>SEL</td> <td>APC circuit</td> <td>LDO</td> </tr> <tr> <td>GND</td> <td>OFF</td> <td>Connected VCC through 1kΩ resistor</td> </tr> <tr> <td>Hiz</td> <td>ON</td> <td>Control signal output</td> </tr> <tr> <td>VCC</td> <td>ON</td> <td>Control signal output</td> </tr> </table>	SEL	APC circuit	LDO	GND	OFF	Connected VCC through 1kΩ resistor	Hiz	ON	Control signal output	VCC	ON	Control signal output
SEL	APC circuit	LDO													
GND	OFF	Connected VCC through 1kΩ resistor													
Hiz	ON	Control signal output													
VCC	ON	Control signal output													
9	TEB	I	"Tracking error balance adjustment signal input pin Adjusts TE signal balance by eliminating carrier component from PWM signal (3-state output, PWM carrier = 88.2kHz) output from TC94A14F/FA TEBC pin using RC-LPF and inputting DC. TEBC input voltage: GND ~ VCC"												
10	TEN	I	Tracking error signal generation amp negative-phase input pin												
11	TEO	O	"Tracking error signal generation amp output pin. Combining TEO signal RFRP signal with TC94A14F/FA configures tracking search system"												
12	RFDC	O	RF signal peak detection output pin												
13	GVSW	I	AGC/FE/TE amp gain change pin <table border="1" data-bbox="634 1146 870 1327"> <tr> <td>GVSW</td> <td>Mode</td> </tr> <tr> <td>GND</td> <td>CD-RW</td> </tr> <tr> <td>Hiz</td> <td rowspan="2">Normal</td> </tr> <tr> <td>VCC</td> </tr> </table>	GVSW	Mode	GND	CD-RW	Hiz	Normal	VCC					
GVSW	Mode														
GND	CD-RW														
Hiz	Normal														
VCC															
14	VRO	O	"Reference voltage (VRO) output pin * VRO=1/2VCC When VCC=3.3V"												
15	FEO	O	Focus error signal generation amp output pin												
16	FEN	I	Focus error signal generation amp negative-phase input pin												
17	RFRP	O	"Signal amp output pin for track count Combining RFRP signal and TEO signal with TC94A14F/FA configures tracking search system."												
18	REIS	I	RF signal amplitude adjustment amp output pin												
19	RFGO	O													
20	RFGC	I		"RF amplitude adjustment control signal input pin Adjusts RF signal amplitude by eliminating carrier component from PWM signal (3-state output, PWM carrier=88.2kHz)output fromTC94A14F/14FA RFGC pin using RC-LPF and inputting DC. * RFGC input voltage: GND ~ VCC"											
21	AGCIN	I	RF signal amplitude adjustment amp input pin												
22	RFO	O	RF signal generation amp output pin												
23	RFI	I	RF signal generation amp input pin												
24	GND	-	GND pin												

4.4 TC94A14FA (IC521) : DSP & DAC

• Pin layout & Block diagram



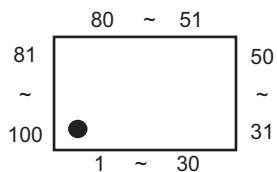
• Pin function

Pin No.	Symbol	I/O	Function
1	BCK	O	Bit clock output pin. 32fs, 48fs, or 64fs selectable by command.
2	LRCK	O	L/R channel clock output pin. "L" for L channel and "H" for R channel. Output polarity can be Inverted by command.
3	AOUT	O	Audio data output pin. MSB-first or LSB-first selectable by command.
4	DOUT	O	Digital data output pin. Outputs up to double-speed playback.
5	IPF	O	Correction flag output pin. When set to "H", AOUT output cannot be corrected by C2 correction processing.
6	VDD3	-	Digital 3.3V power supply voltage pin.
7	VSS3	-	Digital GND pin.
8	SBOK	O	Subcode Q data CRCC result output pin. "H" level when result is OK.
9	CLCK	O	Subcode P-W data read I/O pin. I/O polarity selectable by command.
10	DATA	O	Subcode P-W data output pin.
11	SFSY	O	Playback frame sync signal output pin.
12	SBSY	O	Subcode block sync signal output pin. "H" level at S1 when subcode sync is detected.
13	HSO	I/O	General-purpose input / output pins.
14	UHSO		Input port at reset.
15	PVDD3	-	PLL-only 3.3V power supply voltage pin.
16	PDO	O	EFM and PLCK phase difference signal output pin.

17	TMAX	O	TMAX detection result output pin.	
			TMAX Detection Result	TMAX Output
			Longer than fixed period	"PVDD3"
			Within fixed period	"HiZ"
Shorter than fixed period	"AVSS3"			
18	LPFN	I	Inverted input pin for PLL LPF amp.	
19	LPFO	O	Output pin for PLL LPF amp.	
20	PVREF	-	PLL-only VREF pin.	
21	VCOF	O	VCO filter pin.	
22	AVSS3	-	Analog GND pin.	
23	SLCO	O	DAC output pin for data slice level generation.	
24	RFI	I	RF signal input pin. Zin selectable by command.	
25	AVDD3	-	Analog 3.3V power supply voltage pin.	
26	RFCT	I	RFRP signal center level input pin.	
27	RFZI	I	RFRP signal zero-cross input pin.	
28	RFRP	I	RF ripple signal input pin.	
29	FEI	I	Focus error signal input pin.	
30	SBAD	I	Sub-beam adder signal input pin.	
31	TEI	I	Tracking error input pin. Inputs when tracking servo is on.	
32	TEZI	I	Tracking error signal zero-cross input pin.	
33	FOO	O	Focus equalizer output pin.	
34	TRO	O	Tracking equalizer output pin.	
35	VREF	-	Analog reference power supply voltage pin.	
36	RFGC	O	RF amplitude adjustment control signal output pin.	
37	TEBC	O	Tracking balance control signal output pin.	
38	SEL	O	APC circuit ON/OFF signal output pin. At laser on high impedance with UHS="L", H output with UHS="H".	
39	AVDD3	-	Analog 3.3V power supply voltage pin.	
40	FMO	O	Feed equalizer output pin.	
41	DMO	O	Disc equalizer output pin.	
42	VSS3	-	Digital GND pin.	
43	VDD3	-	Digital 3.3V power supply voltage pin.	
44	TESIN	I	Test input pin. Normally fixed to "L".	
45	XVSS3	-	System clock oscillator GND pin.	
46	XI	I	System clock oscillator input pin.	
47	XO	O	System clock oscillator output pin.	
48	XVDD3	-	System clock oscillator 3.3V power supply voltage pin.	
49	DVSS3R	-	DA converter GND pin.	
50	RO	O	R-channel data forward output pin.	
51	DVDD3	-	DA converter 3.3V power supply pin.	
52	DVR	-	Reference voltage pin.	
53	LO	O	L-channel data forward output pin.	
54	DVSS3L	-	DA converter GND pin.	
55	ZDET	O	1 bit DA converter zero detection flag output pin.	
56	VSS5	-	Microcontroller interface GND pin.	
57	BUS0			
58	BUS1	I/O	Microcontroller interface data I/O pins.	
59	BUS2			
60	BUS3			
61	BUCK	I	Microcontroller interface clock input pin.	
62	/CCE	I	Microcontroller interface chip enable signal input pin. At "L", BUS0 to BUS3 are active.	
63	/RST	I	Reset signal input pin. At reset, "L".	
64	VDD5	-	Microcontroller interface 5V power supply pin.	

4.5 UPD178078GF-592 (IC701) : System CPU

• Pin layout



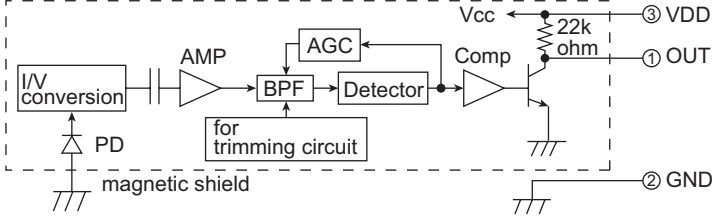
• Pin function

Pin No..	Symbol	I/O	Function
1	NC	-	No use
2	JBUS-INT	I	JVC bus communication line
3	JBUS-SI	I	JVC bus communication line
4	JBUS-SO	O	JVC bus communication line
5	JBUS-SCK	O	JVC bus communication line
6 - 8	NC	-	No use
9	SDA	I	Serial data input
10	SCL	O	Serial clock output
11	NC	-	No use
12	LCD-DA	O	LCD driver serial data output
13	LCD-CLK	O	Serial clock output for LCD
14	JBUS-I/O	O	JVC bus output select
15	NC	-	No use
16	LCD-CE	O	LCD driver communication line
17	SW2	I	CD mech switch
18	PSW	I	CD mech switch
19,20	NC	I	Not use
21	ENC1	I	Encoder input 1
22	ENC2	I	Encoder input 2
23	KEY0	I	Key input
24	KEY1	I	Key input
25	KEY2	I	Key input
26	LEVEL	I	Audio level input
27	AVDD	I	Power supply
28	SM	-	Signal level meter input
29	NC	I	Not use
30	DOOR-SW	-	Not use
31	NC	-	Connect to GND
32	AVSS	-	Connect to GND
33	REGCPU	-	Connect to GND with capacitor
34	VDD	-	Power supply
35	REGOSC	-	Connect to GND with capacitor
36	X2	-	System clock
37	X1	I	System clock
38	GND0	-	Connect to GND
39	SD/ST	I	Station detector & Stereo indicator
40	GND2	-	Connect to GND
41	NC	-	No use
42	IFC	I	IF count input
43	VDDPLL	-	---
44	OSC-INPUT	I	FM,AM osc input

Pin No..	Symbol	I/O	Function
45	No use	-	
46	GNDPLL	-	---
47	AMEO	O	PLL error output for AM
48	FMEO	O	PLL error output for FM
49	ICVPP	-	Setting to write for flash
50	RESET	I	System reset
51	SW1	I	CD mech switch
52	REMOCON	I	Remocon input
53	NC	-	No use
54	TELMUTE	-	No use
55	POWER	O	Power control
56	CD-ON	O	CD power control
57	MUTE	O	Mute control
58	STAGE1	-	Program control
59	BUZZER	-	No use
60	STAGE2	-	No use
61 - 67	NC	-	No use
68	CD-RW	O	CD-RW select
69	LM	O	Loading motor driver control
70	MSW	O	CD LSI communication line
71	BUCK	O	CD LSI communication line
72	CCE	I/O	CD LSI communication line
73	BUS0	I/O	CD LSI communication line
74	BUS1	I/O	CD LSI communication line
75	BUS2	I/O	CD LSI communication line
76	BUS3	O	CD LSI communication line
77	RST	I	Reset signal input
78	PS1	I	ACC detection input
79	PS2	I	Memory detection
80	DETACH	I	Detach detection
81	NC	-	Not use
82	GND1	-	Connect to GND
83	MONO	O	Mono by force
84	SEEK/STOP	O	Switching SEEK & STOP
85	FM/AM	O	Band switch
86,87	NC	-	Not use
88	DIMMER-IN	I	Dimmer input
89	ANT	O	Antena regulator control signal
90	IFC.CONT	I	IFC count
91 - 97	NC	-	Not use
98	DIMMER-OUT	O	Dimmer output
99	VDDPORT	-	Vdd
100	GNDPORT	-	Connect to GND

4.6 RPM6938-SV4 (IC602) : Remote control receiver

- Block diagram





VICTOR COMPANY OF JAPAN, LIMITED
AV & MULTIMEDIA COMPANY 10-1,1chome,Ohwatari-machi,Maebashi-city,371-8543,Japan

(No.49778)

PARTS LIST

[KD-S7350/KD-S690]

* All printed circuit boards and its assemblies are not available as service parts.

Area suffix

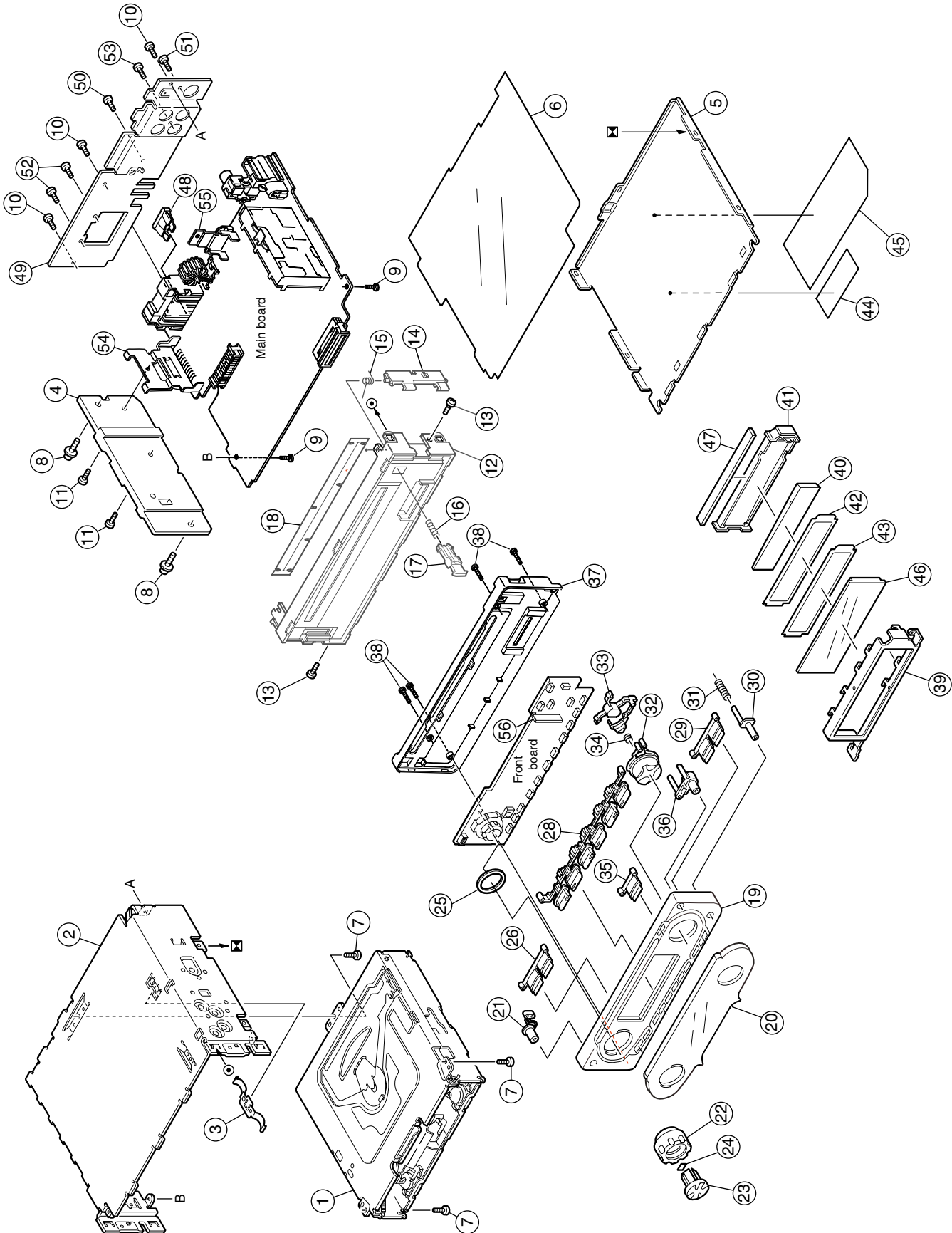
J ----- Northern America

- Contents -

Exploded view of general assembly and parts list (Block No.M1)	3- 2
CD mechanism assembly and parts list (Block No.MB)	3- 5
Electrical parts list (Block No.01~02)	3- 8
Packing materials and accessories parts list (Block No.M3,M5)	3-14

Exploded view of general assembly and parts list

Block No. M 1 M M



■ Parts list (General assembly)

Block No. M1MM

△	Item	Parts number	Parts name	Q'ty	Description	Area
	1	-----	CD MECHA	1		
	2	GE10043-205A	TOP CHASSIS	1		
	3	GE40135-001A	EARTH PLATE	1		
	4	GE30568-006A	HEAT SINK	1		
	5	GE30393-002A	BOTTOM COVER	1		
	6	FSMA3004-203	INSULATOR	1		
	7	QYSDST2604Z	SCREW	3	CHASIS+CD MECHA	
	8	FSKZ4005-001	SCREW	2	CHASIS+HEAT SIN	
	9	QYSDST2606Z	SCREW	2	CHASSIS+MAIN PW	
	10	QYSDST2604Z	SCREW	3	CHASSIS+REAR BK	
	11	QYSDST2612Z	SCREW	2	HEAT SINK+IC BK	
	12	GE10056-001A	FRONT CHASSIS	1	KD-S690	
		GE10056-002A	FRONT CHASSIS	1	KD-S7350	
	13	QYSDST2004M	SCREW	2		
	14	GE30583-001A	LOCK LEVER	1		
	15	FSKW4005-003	TORSION SPRING	1	FOR LOCK LEVER	
	16	FSKW3002-015	COMP.SPRING	1		
	17	FSXP3026-002	RLS KNOB	1		
	18	GE40140-001A	BLIND	1		
	19	GE10057-002A	FRONT PANEL	1	KD-S7350	
		GE10057-001A	FRONT PANEL	1	KD-S690	
	20	GE30802-003A	FINDER	1	KD-S690	
		GE30802-002A	FINDER	1	KD-S7350	
	21	GE30105-002B	POWER BUTTON	1		
	22	GE30815-001A	KNOB	1		
	23	GE30816-001A	SEL BUTTON	1		
	24	FSYH4036-053	SHEET	1		
	25	GE30817-001A	RIM LENS	1		
	26	GE30811-002A	PUSH BUTTON	1		
	28	GE20143-001A	PRESET BUTTON	1		
	29	GE30814-007A	OPERAT.BUTTON	1		
	30	GE30807-001A	DETACH BUTTON	1		
	31	FSKW3002-012	COMP. SPRING	1	DETACH BUTTON	
	32	GE30818-001A	NAVIGATION BTN	1		
	33	GE30819-001A	NAVIGATION BASE	1		
	34	GE40127-002A	COMPRESS SPRING	1		
	35	GE30813-001A	D FUNC BTN (U)	1		
	36	GE30803-001A	EJECT BUTTON	1		
	37	GE10058-001A	REAR COVER	1	KD-S690	
		GE10058-002A	REAR COVER	1	KD-S7350	
	38	VKZ4777-001	MINI SCREW	4		
	39	GE30804-002A	LCD CASE	1		
	40	GE30805-001A	LCD LENS	1		
	41	GE30806-001A	LENS CASE	1		
	42	GE40150-005A	LENS FILTER	1		
	43	GE40150-006A	LENS FILTER	1		
	44	GE30720-001A	NAME PLATE	1	KD-S7350	
		GE30723-001A	NAME PLATE	1	KD-S690	

■ Parts list (General assembly)

Block No. M1MM

⚠	Item	Parts number	Parts name	Q'ty	Description	Area
	45	LV41843-001A	CAUTION LABEL	1		
	46	QLD0254-001	LCD MODULE	1		
	47	QNZ0442-001	LCD CONNECTOR	1		
⚠	48	QMFZ047-150-T	FUSE	1		
	49	GE30382-019A	REAR BRACKET	1		
	50	QYSDST2606Z	SCREW	1	REAR BKT+REG BK	
	51	QYSDST2606Z	SCREW	1	REAR BKT+ANT JA	
	52	QYSDSF2606Z	SCREW	2	REAR BKT+16P CO	
	53	QYSDSF2606Z	SCREW	1	REAR BKT+PIN JA	
	54	GE40136-001A	IC BRACKET	1		
	55	GE40124-001A	REG BRACKET	1		
	56	GE30854-001A	LED HOLDER	1		

■ Parts list (CD mechanism)

Block No. MBMM

△	Item	Parts number	Parts name	Q'ty	Description	Area
	1	30320101T	FRAME	1		
	2	30320102T	TOP COVER	1		
	3	30320115T	DANPER F	2		
	4	30320116T	DANPER R	1		
	11	303205505T	CHASSIS RIVET	1		
	12	303205503T	CHANGE P. RVT A	1		
	13	303205301T	CLAMPER ASS'Y	1		
	14	303205302T	SPINDLE MOTOR A	1	MDN-3BL3LSBS	
	15	30320502T	CLAMPER ARM	1		
	16	30320503T	CHANGE GEAR SPG	1		
	17	30320505T	CHANGE GEAR 2	1		
	18	30320506T	FEED GEAR	1		
	19	30320507T	FEED RACK	1		
	20	30320509T	CHANGE LOCK RAR	1		
	21	30320510T	FEED SW HOLDER	1		
	22	30320511T	PU SHAFT HOLDER	1		
	23	30320513T	CLAMPER SUB SPG	1		
	24	30320514T	FD SUB HOLDER	1		
	25	30320518T	TOP PLATE	1		
	26	30320519T	SELECT LOCK ARM	1		
	27	30320520T	TRIGGER ARM	1		
	28	30320521T	SLIDE HOOK	1		
	29	30320522T	PU SHAFT	1		
	30	30320525T	CLAMPER ARM SPG	1		
	31	30320526T	SELECT L ARM SP	1		
	32	30320538T	SUSPENSION SP R	1		
	33	30320529T	SELECT ARM R	1		
	34	30320530T	LINK PLATE	1		
	35	30320531T	LINK PLATE SPG	1		
	36	30320523T	CUSHION F	1		
	37	30320524T	CUSHION R	2		
	38	30320539T	SUSPENSION SP L	2		
	61	69011614T	PICKUP OPT-725	1		
	62	64180406T	DET SW ESE22	1	ESE22MH56	
	71	303210301T	CONN PWB ASS'Y	1		
	72	30321002T	MODE SW	1	MMS000690ZMB0	
	73	30321003T	LOAD MOTOR WIRE	1		
	74	30321005T	MODE SW WIRE	1		
	75	30321009T	SL WIRE	1		
	76	30321011T	WIRE HOLDER	1		
	77	19501403T	WIRE CLAMPER	1		
	81	303211301T	ROLLER SHAFT AS	1		
	82	303211501T	L GEAR PLATE RV	1		
	83	303211302T	LOADING PLATE A	1		
	84	303211502T	LOCK ARM RV ASS	1		
	85	303211303T	L/F MOTOR ASS'Y	1	FF030PK-10180	
	86	30321101T	LOADING GEAR 1	1		
	87	30321102T	LOADING GEAR 2	1		

■ Parts list (CD mechanism)

Block No. MBMM

△	Item	Parts number	Parts name	Q'ty	Description	Area
	88	30321103T	LOADING GEAR 3	1		
	89	30321104T	LOADING GEAR 4	1		
	90	30321105T	LOADING GEAR 5	1		
	91	30321106T	LOADING GEAR 6	1		
	92	30321107T	LOADING GEAR 7	1		
	93	30321111T	ROLLER GUIDE	2		
	94	30321114T	ROLLER GUIDE SP	2		
	95	30321116T	DISC STOPPER AR	1		
	96	30321117T	DISC ST ARM SPG	1		
	97	30321118T	LD GEAR BRACKET	1		
	98	30321125T	L SIDE PLATE	1		
	99	30321131T	LOAD PLATE SPG	1		
	100	30321133T	LDG ROLLER	2		
	101	18211223T	COLLAR SCREW	1		
	111	9P0420031T	SCREW M2X3	6	TAP 2X3	
	112	9P0420041T	SCREW(M2 X 4)	2	TAP 2X4	
	113	9B0320041T	SCREW(M2 X 4)	1	BIND 2X4	
	114	9C0117183T	SCREW	2	SCR M1.7X1.8	
	115	9C0120203T	SCREW	1	SCR M2X2	
	116	9C0317503T	SCREW	1	T SCR M1.7X5	
	121	9W0130170T	PW 3.5X8X0.3	1		
	122	9W0513060T	HL WASHER	1	HLW1.85X5X0.13	
	123	9W0710070T	L WASHER	1	LW3.1X6X0.1	
	124	9E0100152T	E RING	1	S 1.5	
	125	9W0113020T	PW 2.1X4X0.13	1		

■ Electrical parts list (Main board)

Block No. 01

△	Item	Parts number	Parts name	Remarks	Area
C 1	QEKJ1CM-106Z	E CAPACITOR	10MF 20% 16V		
C 2	QEKJ1HM-224Z	E CAPACITOR	.22MF 20% 50V		
C 6	NCS31HJ-101X	C CAPACITOR			
C 12	QEKJ1HM-104Z	E CAPACITOR	.10MF 20% 50V		
C 14	NCB31EK-103X	C CAPACITOR			
C 17	NCS21HJ-560X	C CAPACITOR			
C 18	NDC31HJ-151X	C CAPACITOR			
C 21	QEKJ1CM-106Z	E CAPACITOR	10MF 20% 16V		
C 22	NCB31HK-223X	C CAPACITOR			
C 24	QEKJ1AM-227Z	E CAPACITOR	220MF 20% 10V		
C 31	QEKJ1HM-225Z	E CAPACITOR	2.2MF 20% 50V		
C 32	NCB31HK-102X	C CAPACITOR			
C 33	QEKJ1AM-227Z	E CAPACITOR	220MF 20% 10V		
C 35	NDC31HJ-470X	C CAPACITOR			
C 41	NCB31EK-563X	C CAPACITOR			
C 42	NCB31HK-123X	C CAPACITOR			
C 81	QEKJ1HM-105Z	E CAPACITOR	1.0MF 20% 50V		
C 82	QEKJ1HM-105Z	E CAPACITOR	1.0MF 20% 50V		
C 83	NCB21EK-333X	C CAPACITOR			
C 84	NCB21EK-333X	C CAPACITOR			
C 85	NCB31HK-103X	C CAPACITOR			
C 141	QEKJ1CM-476Z	E CAPACITOR	47MF 20% 16V		
C 142	QEKJ1AM-107Z	E CAPACITOR	100MF 20% 10V		
C 143	QEKJ1CM-107Z	E CAPACITOR	100MF 20% 16V		
C 144	NCB31EK-103X	C CAPACITOR			
C 151	QERF1HM-105Z	E CAPACITOR	1.0MF 20% 50V		
C 152	QERF1HM-105Z	E CAPACITOR	1.0MF 20% 50V		
C 162	NCB31HK-822X	C CAPACITOR			
C 163	NCB21CK-184X	C CAPACITOR			
C 164	NCB31AK-224X	C CAPACITOR			
C 165	NCB31EK-333X	C CAPACITOR			
C 166	NCB31HK-562X	C CAPACITOR			
C 167	QERF1EM-475Z	E CAPACITOR	4.7MF 20% 25V		
C 168	QERF1EM-475Z	E CAPACITOR	4.7MF 20% 25V		
C 172	NCB31HK-822X	C CAPACITOR			
C 173	NCB21CK-184X	C CAPACITOR			
C 174	NCB31AK-224X	C CAPACITOR			
C 175	NCB31EK-333X	C CAPACITOR			
C 176	NCB31HK-562X	C CAPACITOR			
C 183	NDC31HJ-391X	C CAPACITOR			
C 184	NDC31HJ-391X	C CAPACITOR			
C 185	QFV61HJ-334Z	MF CAPACITOR	.33MF 5% 50V		
C 186	QFV61HJ-334Z	MF CAPACITOR	.33MF 5% 50V		
C 187	QEKJ1EM-475Z	E CAPACITOR	4.7MF 20% 25V		
C 188	QEKJ1EM-475Z	E CAPACITOR	4.7MF 20% 25V		
C 193	NDC31HJ-391X	C CAPACITOR			
C 194	NDC31HJ-391X	C CAPACITOR			
C 195	QFV61HJ-334Z	MF CAPACITOR	.33MF 5% 50V		
C 196	QFV61HJ-334Z	MF CAPACITOR	.33MF 5% 50V		
C 242	QEKJ1CM-226Z	E CAPACITOR	22MF 20% 16V		
C 243	NCB31EK-473X	C CAPACITOR			
C 244	QEKJ1HM-224Z	E CAPACITOR	.22MF 20% 50V		
C 245	QEKJ1HM-105Z	E CAPACITOR	1.0MF 20% 50V		
C 300	NCB31HK-223X	C CAPACITOR			
C 303	NDC31HJ-101X	C.CAPACITOR			
C 304	NDC31HJ-101X	C.CAPACITOR			
C 305	NDC31HJ-101X	C.CAPACITOR			
C 306	NDC31HJ-101X	C.CAPACITOR			
C 308	QERF1EM-475Z	E CAPACITOR	4.7MF 20% 25V		
C 309	QERF1EM-475Z	E CAPACITOR	4.7MF 20% 25V		
C 313	NDC31HJ-101X	C.CAPACITOR			
C 314	NDC31HJ-101X	C.CAPACITOR			
C 315	NDC31HJ-101X	C.CAPACITOR			
C 316	NDC31HJ-101X	C.CAPACITOR			
C 317	NCB31HK-223X	C CAPACITOR			
C 318	QERF1CM-107Z	E CAPACITOR	100MF 20% 16V		

△	Item	Parts number	Parts name	Remarks	Area
C 319	QEKJ1CM-476Z	E CAPACITOR	47MF 20% 16V		
C 320	QEKJ1CM-226Z	E CAPACITOR	22MF 20% 16V		
C 321	NDC31HJ-101X	MG RESISTOR	KD-S7350		
C 331	NDC31HJ-101X	MG RESISTOR	KD-S7350		
C 333	NCB31EK-273X	C CAPACITOR			
C 334	NCB31EK-273X	C CAPACITOR			
C 341	NDC31HJ-101X	C.CAPACITOR			
C 351	NDC31HJ-101X	C.CAPACITOR			
C 361	NCB31EK-104X	C CAPACITOR			
C 362	NCB31EK-104X	C CAPACITOR			
C 363	NCB31EK-104X	C CAPACITOR			
C 364	NCB31EK-104X	C CAPACITOR			
C 501	NCB31HK-103X	C CAPACITOR			
C 502	NCB31HK-103X	C CAPACITOR			
C 503	QEKJ1AM-107Z	E CAPACITOR	100MF 20% 10V		
C 504	NCB31HK-103X	C CAPACITOR			
C 505	QEKJ1AM-107Z	E CAPACITOR	100MF 20% 10V		
C 507	NCB31HK-682X	C CAPACITOR			
C 508	NCB31HK-103X	C CAPACITOR			
C 509	QEKJ1AM-107Z	E CAPACITOR	100MF 20% 10V		
C 510	NCB31CK-104X	C CAPACITOR			
C 511	NCB31CK-104X	C CAPACITOR			
C 512	NDC31HJ-820X	C CAPACITOR			
C 513	NCB31HK-103X	C CAPACITOR			
C 514	NDC31HJ-5R0X	C CAPACITOR			
C 521	NCB31HK-103X	C CAPACITOR			
C 522	QEKJ1AM-107Z	E CAPACITOR	100MF 20% 10V		
C 523	NDC31HJ-470X	C CAPACITOR			
C 524	NCB31HK-153X	C CAPACITOR			
C 525	NCB31HK-103X	C CAPACITOR			
C 526	NCB31HK-272X	C CAPACITOR			
C 527	NCB31HK-103X	C CAPACITOR			
C 528	NCB31EK-333X	C CAPACITOR			
C 530	NCB31EK-333X	C CAPACITOR			
C 531	NCB31EK-473X	C CAPACITOR			
C 533	NCS31HJ-471X	C CAPACITOR			
C 534	NCS31HJ-471X	C CAPACITOR			
C 535	NCB31EK-473X	C CAPACITOR			
C 536	NCB31EK-473X	C CAPACITOR			
C 537	NCB31EK-473X	C CAPACITOR			
C 538	NCB31EK-473X	C CAPACITOR			
C 539	QEKJ1CM-107Z	E CAPACITOR	100MF 20% 16V		
C 540	NCB31HK-103X	C CAPACITOR			
C 541	NCB31HK-103X	C CAPACITOR			
C 544	NCB31HK-103X	C CAPACITOR			
C 545	QEKJ1AM-107Z	E CAPACITOR	100MF 20% 10V		
C 546	NDC31HJ-101X	C.CAPACITOR			
C 547	NCB31CK-104X	C CAPACITOR			
C 548	QEKJ1AM-107Z	E CAPACITOR	100MF 20% 10V		
C 549	NCB31HK-103X	C CAPACITOR			
C 550	QEKJ1HM-105Z	E CAPACITOR	1.0MF 20% 50V		
C 551	QEKJ1AM-107Z	E CAPACITOR	100MF 20% 10V		
C 552	NCB31HK-103X	C CAPACITOR			
C 553	NDC31HJ-100X	C CAPACITOR			
C 554	NDC31HJ-100X	C CAPACITOR			
C 555	NDC31HJ-121X	C CAPACITOR			
C 556	QEKJ1AM-107Z	E CAPACITOR	100MF 20% 10V		
C 561	QEDJ1AM-476Z	AL E.CAPACITOR	47MF 20% 10V		
C 562	NCB31HK-103X	C CAPACITOR			
C 563	QEDJ1AM-107Z	AL E.CAPACITOR	100MF 20% 10V		
C 564	NCB31EK-473X	C CAPACITOR			
C 565	NCB31EK-473X	C CAPACITOR			
C 566	NCB31EK-473X	C CAPACITOR			
C 567	NCB31EK-473X	C CAPACITOR			
C 571	NCS31HJ-821X	C CAPACITOR			
C 572	QEKJ1EM-475Z	E CAPACITOR	4.7MF 20% 25V		
C 573	NCS31HJ-121X	C CAPACITOR			

■ Electrical parts list (Main board)

Block No. 01

△	Item	Parts number	Parts name	Remarks	Area	△	Item	Parts number	Parts name	Remarks	Area
	C 574	NCS31HJ-821X	C CAPACITOR				D 977	UDZS11B-X	Z.DIODE		
	C 581	NCS31HJ-821X	C CAPACITOR				IC161	TEA6320T-X	IC		
	C 582	QEKJ1EM-475Z	E CAPACITOR	4.7MF 20% 25V			IC302	LA4743K	IC		
	C 583	NCS31HJ-121X	C CAPACITOR				IC501	TA2157FN-X	IC		
	C 584	NCS31HJ-821X	C CAPACITOR				IC521	TC94A14FA	IC		
	C 591	QERF1AM-107Z	E CAPACITOR	100MF 20% 10V			IC561	LA6579H-X	IC		
	C 592	QEKJ0JM-476Z	E CAPACITOR	47MF 20% 6.3V			IC571	HA17558F-X	IC		
	C 593	QEKJ0JM-476Z	E CAPACITOR	47MF 20% 6.3V			IC701	UPD178078GF-592	I.C(MICRO-COMP)		
	C 701	QEKJ1AM-227Z	E CAPACITOR	220MF 20% 10V			IC901	HA13164A	IC		
	C 702	NCB31EK-104X	C CAPACITOR				L 1	QQL244J-4R7Z	INDUCTOR		
	C 703	NCB31EK-104X	C CAPACITOR				L 521	QQL244J-470Z	INDUCTOR		
	C 705	NDC31HJ-220X	C CAPACITOR				L 522	QQL244J-470Z	INDUCTOR		
	C 706	NDC31HJ-220X	C CAPACITOR				L 523	QQL244J-470Z	INDUCTOR		
	C 707	QEKJ1AM-227Z	E CAPACITOR	220MF 20% 10V			L 524	QQL244J-470Z	INDUCTOR		
	C 708	NCB31EK-103X	C CAPACITOR				L 701	QQL244J-4R7Z	INDUCTOR		
	C 710	NCB31EK-104X	C CAPACITOR				L 702	QQL244J-4R7Z	INDUCTOR		
	C 711	NCS31HJ-102X	C CAPACITOR	C CAPACITOR			L 901	QQR1362-001	CHOKE COIL		
	C 717	NCB31EK-104X	C CAPACITOR				Q 1	KRC102S-X	DIGITAL.TR		
	C 718	NCB31EK-104X	C CAPACITOR				Q 2	KRC102S-X	DIGITAL.TR		
	C 901	QEZ0615-228	E CAPACITOR	2200MF			Q 21	2SB624/4/-X	TRANSISTOR		
	C 903	QEKJ1CM-476Z	E CAPACITOR	47MF 20% 16V			Q 22	2SB709A/R/-X	TRANSISTOR		
	C 904	QEKJ1CM-226Z	E CAPACITOR	22MF 20% 16V			Q 23	KRC102S-X	DIGI.TRANSISTOR		
	C 905	QEKJ1AM-227Z	E CAPACITOR	220MF 20% 10V			Q 31	2SD601A/R/-X	TRANSISTOR		
	C 906	QEKJ1HM-225Z	E CAPACITOR	2.2MF 20% 50V			Q 32	2SD601A/R/-X	TRANSISTOR		
	C 907	NCB31HK-103X	C CAPACITOR				Q 41	2SC3661-X	TRANSISTOR		
	C 908	QEKJ1AM-227Z	E CAPACITOR	220MF 20% 10V			Q 42	2SC3661-X	TRANSISTOR		
	C 909	QEKJ1AM-227Z	E CAPACITOR	220MF 20% 10V			Q 241	2SD601A/R/-X	TRANSISTOR		
	C 910	QEKJ1CM-106Z	E CAPACITOR	10MF 20% 16V			Q 301	KRC102S-X	DIGITAL.TR		
	C 913	QEKJ1CM-106Z	E CAPACITOR	10MF 20% 16V			Q 321	2SD1781K/QR/-X	TRANSISTOR	KD-S7350	
	C 914	NCB31EK-104X	C CAPACITOR				Q 331	2SD1781K/QR/-X	TRANSISTOR	KD-S7350	
	C 975	NCB31EK-823X	C CAPACITOR				Q 341	2SD1781K/QR/-X	TRANSISTOR		
	C 976	QERF0JM-476Z	E CAPACITOR	47MF 20% 6.3V			Q 351	2SD1781K/QR/-X	TRANSISTOR		
	C 977	QERF1CM-107Z	E CAPACITOR	100MF 20% 16V			Q 501	2SB1241/QR/-T	TRANSISTOR		
	CJ 1	QNB0100-002	ANT TERMINAL				Q 521	UN2111-X	TRANSISTOR		
	CJ321	QNN0519-001	PIN JACK	KD-S690			Q 522	KRC102S-X	DIGITAL.TR		
	CJ321	QNN0490-001	PIN JACK	KD-S7350			Q 561	2SB1322/RS/-T	TRANSISTOR		
	CJ691	VMC0334-001	CONNECTOR				Q 963	2SB709A/R/-X	TRANSISTOR		
	CN501	QGB2027M4-22S	CONNECTOR				Q 964	KRC102S-X	DIGITAL.TR		
	CN901	QNZ0611-001	CAR CONNECTOR				Q 976	UN2111-X	TRANSISTOR		
	D 1	1SS355-X	DIODE				Q 977	UN2111-X	TRANSISTOR		
	D 2	1SS355-X	DIODE				R 1	NRSA63J-102X	MG RESISTOR		
	D 21	1SS355-X	DIODE				R 2	NRSA63J-470X	MG RESISTOR		
	D 22	1SS355-X	DIODE				R 3	NRSA63J-102X	MG RESISTOR		
	D 241	UDZS5.1B-X	Z DIODE				R 5	NRSA63J-103X	MG RESISTOR		
	D 242	RB160M-30-X	SB DIODE				R 8	NRSA63J-223X	MG RESISTOR		
	D 243	1SS355-X	DIODE				R 9	NRSA63J-822X	MG RESISTOR		
	D 244	1SS355-X	DIODE				R 10	NRSA63J-103X	MG RESISTOR		
	D 245	1SS355-X	DIODE				R 21	NRSA63J-103X	MG RESISTOR		
	D 301	1SS355-X	DIODE				R 22	NRSA63J-102X	MG RESISTOR		
	D 331	1SS355-X	DIODE				R 23	NRSA63J-103X	MG RESISTOR		
	D 341	1SS355-X	DIODE				R 24	NRSA02J-222X	MG RESISTOR		
	D 561	1A3G-T1	SI DIODE				R 25	NRS181J-150X	MG RESISTOR		
	D 701	UDZS6.2B-X	SI DIODE				R 26	NRS181J-150X	MG RESISTOR		
	D 702	UDZS6.2B-X	SI DIODE				R 27	NRSA02J-100X	MG RESISTOR		
	D 703	UDZS6.2B-X	SI DIODE				R 31	NRSA63J-152X	MG RESISTOR		
	D 704	UDZS6.2B-X	SI DIODE				R 32	NRSA63J-102X	MG RESISTOR		
	D 705	UDZS6.2B-X	SI DIODE				R 33	NRSA02J-103X	MG RESISTOR		
	D 706	UDZS6.2B-X	SI DIODE				R 34	NRSA02J-330X	MG RESISTOR		
	D 707	UDZS6.2B-X	SI DIODE				R 41	NRSA63J-102X	MG RESISTOR		
	D 708	UDZS6.2B-X	SI DIODE				R 42	NRSA63J-392X	MG RESISTOR		
	D 709	UDZS6.2B-X	SI DIODE				R 43	NRSA02J-102X	MG RESISTOR		
	D 901	1N5401-F64	DIODE				R 81	NRSA63J-272X	MG RESISTOR		
	D 903	1SS355-X	DIODE				R 82	NRSA63J-272X	MG RESISTOR		
	D 905	RB160M-30-X	SB DIODE				R 83	NRSA63J-432X	MG RESISTOR		
	D 906	RB160M-30-X	SB DIODE				R 84	NRSA63J-432X	MG RESISTOR		
	D 976	1SS355-X	DIODE				R 91	NRSA63J-0R0X	MG RESISTOR		
							R 161	NRSA63J-224X	MG RESISTOR		

■ Electrical parts list (Main board)

Block No. 01

△	Item	Parts number	Parts name	Remarks	Area
	R 162	NRSA63J-223X	MG RESISTOR		
	R 163	NRSA63J-222X	MG RESISTOR		
	R 165	NRSA63J-473X	MG RESISTOR		
	R 166	NRSA63J-473X	MG RESISTOR		
	R 171	NRSA63J-224X	MG RESISTOR		
	R 172	NRSA63J-223X	MG RESISTOR		
	R 173	NRSA63J-222X	MG RESISTOR		
	R 175	NRSA63J-271X	MG RESISTOR		
	R 176	NRSA63J-271X	MG RESISTOR		
	R 177	NRSA63J-472X	MG RESISTOR		
	R 178	NRSA63J-472X	MG RESISTOR		
	R 183	NRSA63J-273X	MG RESISTOR		
	R 184	NRSA63J-273X	MG RESISTOR		
	R 185	NRSA63J-473X	MG RESISTOR		
	R 186	NRSA63J-473X	MG RESISTOR		
	R 187	NRSA63J-100X	MG RESISTOR		
	R 193	NRSA63J-273X	MG RESISTOR		
	R 194	NRSA63J-273X	MG RESISTOR		
	R 243	NRSA63J-102X	MG RESISTOR		
	R 244	NRSA63J-224X	MG RESISTOR		
	R 245	NRSA63J-123X	MG RESISTOR		
	R 246	NRSA63J-184X	MG RESISTOR		
	R 247	NRSA63J-223X	MG RESISTOR		
	R 248	NRSA63J-470X	MG RESISTOR		
	R 249	NRSA63J-473X	MG RESISTOR		
	R 250	NRSA63J-221X	MG RESISTOR		
	R 306	NRSA02J-471X	MG RESISTOR		
	R 307	NRSA63J-472X	MG RESISTOR		
	R 321	NRSA02J-102X	MG RESISTOR	KD-S7350	
	R 322	NRSA02J-101X	MG RESISTOR	KD-S7350	
	R 325	NRSA63J-222X	MG RESISTOR	KD-S7350	
	R 331	NRSA02J-102X	MG RESISTOR	KD-S7350	
	R 332	NRSA02J-101X	MG RESISTOR	KD-S7350	
	R 335	NRSA02J-222X	MG RESISTOR	KD-S7350	
	R 341	NRSA02J-821X	MG RESISTOR		
	R 342	NRSA02J-101X	MG RESISTOR		
	R 345	NRSA63J-222X	MG RESISTOR		
	R 351	NRSA02J-821X	MG RESISTOR		
	R 352	NRSA02J-101X	MG RESISTOR		
	R 355	NRSA63J-222X	MG RESISTOR		
	R 503	NRSA63J-823X	MG RESISTOR		
	R 504	NRSA63J-823X	MG RESISTOR		
	R 505	NRSA63J-334X	MG RESISTOR		
	R 506	NRSA63J-334X	MG RESISTOR		
	R 507	NRSA02J-220X	MG RESISTOR		
	R 508	NRSA02J-220X	MG RESISTOR		
	R 509	NRSA63J-823X	MG RESISTOR		
	R 510	NRSA63J-563X	MG RESISTOR		
	R 511	NRSA63J-103X	MG RESISTOR		
	R 512	NRSA63J-202X	MG RESISTOR		
	R 513	NRSA63J-102X	MG RESISTOR		
	R 514	NRSA63J-153X	MG RESISTOR		
	R 515	NRSA63J-101X	MG RESISTOR		
	R 516	NRSA63J-821X	MG RESISTOR		
	R 519	NRSA02J-151X	MG RESISTOR		
	R 521	NRSA63J-562X	MG RESISTOR		
	R 522	NRSA63J-473X	MG RESISTOR		
	R 523	NRSA63J-474X	MG RESISTOR		
	R 524	NRSA63J-153X	MG RESISTOR		
	R 525	NRSA63J-103X	MG RESISTOR		
	R 526	NRSA63J-0R0X	MG RESISTOR		
	R 527	NRSA63J-101X	MG RESISTOR		
	R 528	NRSA63J-101X	MG RESISTOR		
	R 529	NRSA63J-0R0X	MG RESISTOR		
	R 530	NRSA63J-0R0X	MG RESISTOR		
	R 531	NRSA63J-101X	MG RESISTOR		
	R 532	NRSA63J-101X	MG RESISTOR		
	R 533	NRSA63J-105X	MG RESISTOR		

△	Item	Parts number	Parts name	Remarks	Area
	R 686	NRSA63J-473X	MG RESISTOR		
	R 701	NRSA63J-472X	MG RESISTOR		
	R 702	NRSA63J-472X	MG RESISTOR		
	R 703	NRSA63J-472X	MG RESISTOR		
	R 706	NRSA63J-222X	MG RESISTOR		
	R 707	NRSA63J-222X	MG RESISTOR		
	R 708	NRSA63J-0R0X	MG RESISTOR		
	R 709	NRSA63J-222X	MG RESISTOR		
	R 710	NRSA63J-473X	MG RESISTOR		
	R 711	NRSA63J-473X	MG RESISTOR		
	R 712	NRSA63J-473X	MG RESISTOR		
	R 714	NRSA63J-103X	MG RESISTOR		
	R 715	NRSA63J-103X	MG RESISTOR		
	R 717	NRSA63J-103X	MG RESISTOR		
	R 718	NRSA63J-472X	MG RESISTOR		
	R 719	NRSA63J-103X	MG RESISTOR		
	R 720	NRSA63J-472X	MG RESISTOR		
	R 721	NRSA63J-103X	MG RESISTOR		
	R 722	NRSA63J-472X	MG RESISTOR		
	R 723	NRSA63J-473X	MG RESISTOR		
	R 724	NRSA63J-473X	MG RESISTOR		
	R 725	NRSA63J-473X	MG RESISTOR		
	R 726	NRSA63J-0R0X	MG RESISTOR		
	R 727	NRSA63J-0R0X	MG RESISTOR		
	R 728	NRSA63J-473X	MG RESISTOR		
	R 729	NRSA63J-473X	MG RESISTOR		
	R 731	NRSA63J-473X	MG RESISTOR		
	R 732	NRSA63J-103X	MG RESISTOR		
	R 733	NRSA63J-473X	MG RESISTOR		
	R 734	NRSA63J-104X	MG RESISTOR		
	R 735	NRSA63J-103X	MG RESISTOR		
	R 746	NRSA63J-103X	MG RESISTOR		
	R 747	NRSA63J-103X	MG RESISTOR		
	R 748	NRSA63J-103X	MG RESISTOR		
	R 749	NRSA63J-0R0X	MG RESISTOR		
	R 750	NRSA63J-473X	MG RESISTOR		
	R 762	NRSA63J-473X	MG RESISTOR		
	R 892	NRSA63J-222X	MG RESISTOR		
	R 893	NRSA63J-473X	MG RESISTOR		
	R 901	QRE142J-102X	C RESISTOR	1.0K 5% 1/4W	
	R 902	NRSA02J-912X	MG RESISTOR		
	R 903	NRSA02J-472X	MG RESISTOR		
	R 905	NRSA63J-122X	MG RESISTOR		
	R 906	NRSA63J-102X	MG RESISTOR		
	R 907	NRS181J-222X	MG RESISTOR		
	R 908	NRS181J-222X	MG RESISTOR		
	R 967	NRSA63J-273X	MG RESISTOR		
	R 968	NRSA63J-103X	MG RESISTOR		
	R 976	NRSA63J-473X	MG RESISTOR		
	TU 1	QAU0281-001	TUNER PACK		
	X 521	QAX0413-001Z	CRYSTAL		
	X 701	QAX0406-001Z	CRYSTAL		
	R 534	NRSA63J-472X	MG RESISTOR		
	R 535	NRSA63J-472X	MG RESISTOR		
	R 536	NRSA63J-472X	MG RESISTOR		
	R 537	NRSA63J-472X	MG RESISTOR		
	R 538	NRSA63J-103X	MG RESISTOR		
	R 539	NRSA63J-155X	MG RESISTOR		
	R 541	NRS181J-220X	MG RESISTOR		
	R 542	NRS181J-220X	MG RESISTOR		
	R 561	NRSA63J-333X	MG RESISTOR		
	R 562	NRSA63J-822X	MG RESISTOR		
	R 563	NRSA63J-472X	MG RESISTOR		
	R 564	NRSA63J-153X	MG RESISTOR		
	R 566	NRSA02J-822X	MG RESISTOR		
	R 567	NRSA63J-682X	MG RESISTOR		

■ Electrical parts list (Main board)

Block No. 01

△	Item	Parts number	Parts name	Remarks	Area
	R 568	NRSA63J-302X	MG RESISTOR		
	R 571	NRSA63J-183X	MG RESISTOR		
	R 572	NRSA63J-333X	MG RESISTOR		
	R 573	NRSA63J-123X	MG RESISTOR		
	R 574	NRSA63J-151X	MG RESISTOR		
	R 575	NRSA63J-0R0X	MG RESISTOR		
	R 581	NRSA63J-183X	MG RESISTOR		
	R 582	NRSA63J-333X	MG RESISTOR		
	R 583	NRSA63J-123X	MG RESISTOR		
	R 584	NRSA63J-151X	MG RESISTOR		
	R 585	NRSA63J-0R0X	MG RESISTOR		
	R 591	NRSA63J-223X	MG RESISTOR		
	R 592	NRSA63J-223X	MG RESISTOR		
	R 593	NRSA63J-223X	MG RESISTOR		
	R 594	NRSA63J-223X	MG RESISTOR		
	R 595	NRSA63J-0R0X	MG RESISTOR		
	R 596	NRSA63J-472X	MG RESISTOR		
	R 597	NRSA63J-152X	MG RESISTOR		
	R 598	NRSA63J-152X	MG RESISTOR		
	R 599	NRSA63J-152X	MG RESISTOR		
	R 685	NRSA63J-473X	MG RESISTOR		

■ Electrical parts list (Front board)

Block No. 02

△	Item	Parts number	Parts name	Remarks	Area
	C 601	NCB31HK-223X	C CAPACITOR		
	C 602	NCS31HJ-681X	AL E.CAPACITOR		
	C 603	NBE20JM-106X	TS E CAP SVB20J		
	C 611	NCB31HK-123X	C CAPACITOR		
	C 612	NBE20JM-475X	TS E CAPACITOR		
	C 613	NCB31HK-153X	C CAPACITOR		
	C 614	NCB31HK-153X	C CAPACITOR		
	CJ601	VMC0335-001	CONNECTOR		
	D 601	SML-310VT/JK/-X	LED		
	D 602	SML-310VT/JK/-X	LED		
	D 603	SML-310VT/JK/-X	LED		
	D 604	SML-310VT/JK/-X	LED		
	D 605	SML-310VT/JK/-X	LED		
	D 606	SML-310VT/JK/-X	LED		
	D 607	SML-310VT/JK/-X	LED		
	D 608	SML-310VT/JK/-X	LED		
	D 609	SML-310VT/JK/-X	LED		
	D 610	SML-310VT/JK/-X	LED		
	R 632	NRSA02J-122X	MG RESISTOR		
	R 633	NRSA02J-122X	MG RESISTOR		
	R 634	NRSA02J-102X	MG RESISTOR		
	R 635	NRSA02J-102X	MG RESISTOR		
	R 636	NRSA02J-821X	MG RESISTOR		
	R 637	NRSA02J-821X	MG RESISTOR		
	R 638	NRSA02J-391X	MG RESISTOR		
	R 639	NRSA02J-391X	MG RESISTOR		
	R 640	NRSA02J-681X	MG RESISTOR		
	R 641	NRSA02J-681X	MG RESISTOR		
	R 642	NRSA02J-681X	MG RESISTOR		
	R 643	NRSA02J-681X	MG RESISTOR		
	R 644	NRSA02J-102X	MG RESISTOR		
	R 645	NRSA02J-102X	MG RESISTOR		
	R 646	NRSA02J-102X	MG RESISTOR		
	R 647	NRSA02J-102X	MG RESISTOR		
	R 651	NRSA63J-102X	MG RESISTOR		
	R 653	NRSA63J-103X	MG RESISTOR		
	R 654	NRSA63J-103X	MG RESISTOR		
	R 655	NRS181J-103X	MG RESISTOR		
	R 656	NRS181J-103X	MG RESISTOR		
	R 657	NRSA63J-513X	MG RESISTOR		
	R 658	NRSA63J-184X	MG RESISTOR		
	R 659	NRS181J-431X	MG RESISTOR		
	R 660	NRS181J-431X	MG RESISTOR		
	R 662	NRSA02J-0R0X	MG RESISTOR		
	R 670	NRSA02J-103X	MG RESISTOR		
	R 671	NRSA63J-471X	MG RESISTOR		
	R 674	NRSA63J-101X	MG RESISTOR		
	S 601	NSW0124-001X	TACT SW		
	S 602	NSW0124-001X	TACT SW		
	S 603	NSW0124-001X	TACT SW		
	S 604	NSW0124-001X	TACT SW		
	S 605	NSW0124-001X	TACT SW		
	S 606	NSW0124-001X	TACT SW		
	S 607	NSW0124-001X	TACT SW		
	S 608	NSW0124-001X	TACT SW		
	S 609	NSW0124-001X	TACT SW		
	S 610	NSW0124-001X	TACT SW		
	S 611	NSW0124-001X	TACT SW		
	S 612	NSW0124-001X	TACT SW		
	S 613	NSW0124-001X	TACT SW		
	S 614	NSW0124-001X	TACT SW		
	S 615	NSW0124-001X	TACT SW		
	S 616	NSW0124-001X	TACT SW		
	S 617	NSW0124-001X	TACT SW		
	S 618	NSW0124-001X	TACT SW		
	D 611	SML-310VT/JK/-X	LED		

△	Item	Parts number	Parts name	Remarks	Area
	D 612	SML-310VT/JK/-X	LED		
	D 613	SML-310VT/JK/-X	LED		
	D 614	SML-310VT/JK/-X	LED		
	D 615	SML-310VT/JK/-X	LED		
	D 616	SML-310VT/JK/-X	LED		
	D 617	SML-310VT/JK/-X	LED		
	D 618	SML-310VT/JK/-X	LED		
	D 619	SML-310VT/JK/-X	LED		
	D 620	SML-310VT/JK/-X	LED		
	D 621	SML-310VT/JK/-X	LED		
	D 622	SML-310LT/MN/-X	LED		
	D 641	UDZS5.1B-X	Z DIODE		
	D 642	1SS355-X	DIODE		
	D 644	UDZS5.1B-X	Z DIODE		
	D 731	NSPW310BS/B2RS/	LED		
	D 732	NSPW310BS/B2RS/	LED		
	IC601	PT6523LQ	IC		
	IC602	RPM6938-SV4	IC		
	JS690	QSW0793-001	ROTARY ENCODER		
	R 601	NRSA63J-821X	MG RESISTOR		
	R 602	NRSA63J-392X	MG RESISTOR		
	R 603	NRSA63J-821X	MG RESISTOR		
	R 604	NRSA63J-122X	MG RESISTOR		
	R 605	NRSA63J-182X	MG RESISTOR		
	R 606	NRSA63J-821X	MG RESISTOR		
	R 607	NRSA63J-821X	MG RESISTOR		
	R 608	NRSA63J-122X	MG RESISTOR		
	R 609	NRSA63J-182X	MG RESISTOR		
	R 610	NRSA63J-272X	MG RESISTOR		
	R 612	NRSA63J-821X	MG RESISTOR		
	R 613	NRSA63J-821X	MG RESISTOR		
	R 614	NRSA63J-122X	MG RESISTOR		
	R 615	NRSA63J-182X	MG RESISTOR		
	R 616	NRSA63J-272X	MG RESISTOR		
	R 631	NRSA02J-821X	MG RESISTOR		

< M E M O >

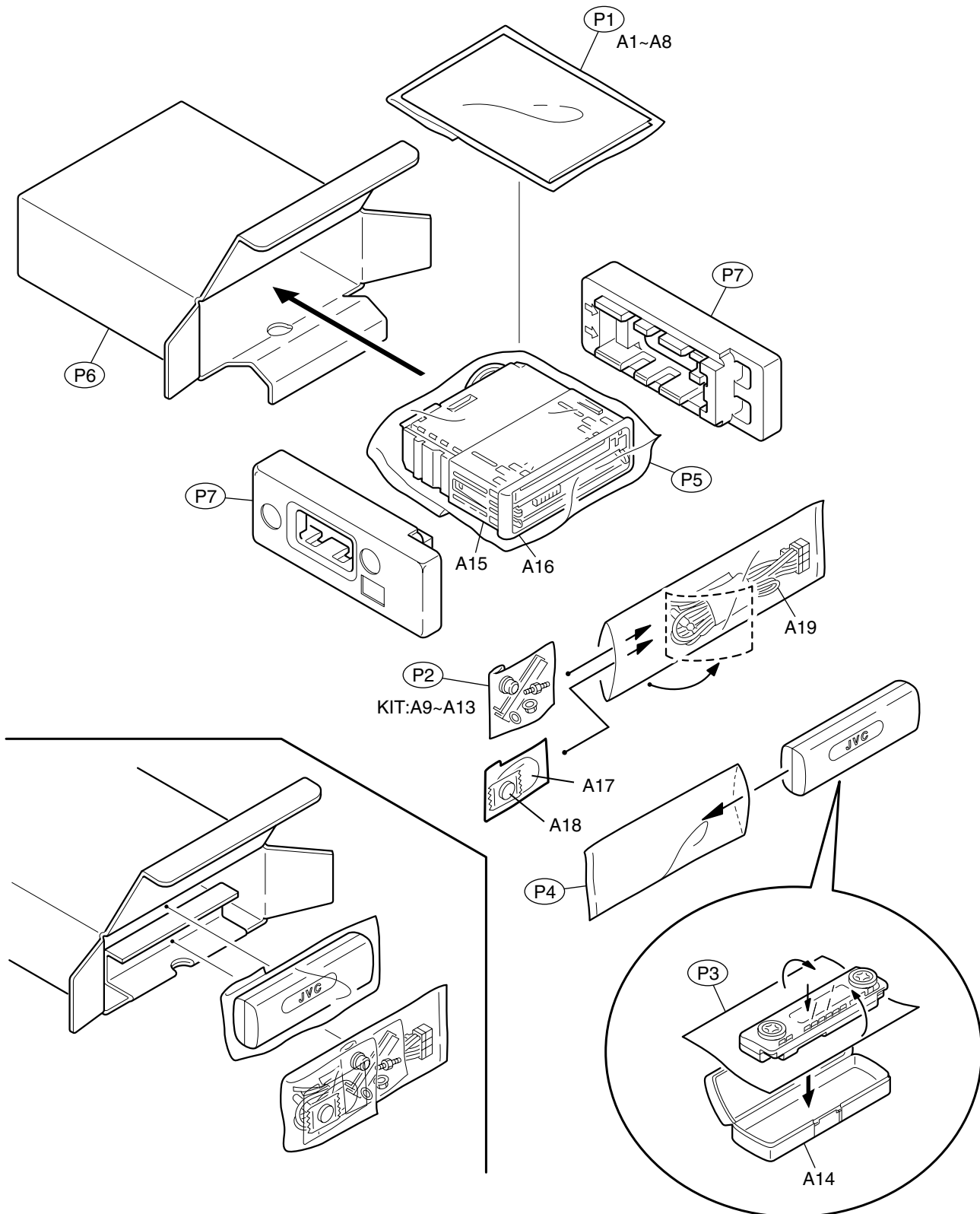
Packing materials and accessories parts list

Block No.

M	3	M	M
---	---	---	---

Block No.

M	5	M	M
---	---	---	---



■ Parts list (Packing)

Block No. M3MM

△	Item	Parts number	Parts name	Q'ty	Description	Area
	P 1	FSPG4002-001	POLY BAG	1	FOR INST. BOOK	
	P 2	QPA00801205	POLY BAG	1		
	P 3	FSYH4036-068	SHEET	1	MIRAMA SHEET	
	P 4	QPA01003003	POLY BAG	1		
	P 5	QPC03004315P	POLY BAG	1		
	P 6	GE30721-001A	PACKING CASE	1	KD-S7350	
		GE30724-001A	PACKING CASE	1	KD-S690	
	P 7	GE10047-001A	EPS CUSHION	2		

■ Parts list (Accessories)

Block No. M5MM

△	Item	Parts number	Parts name	Q'ty	Description	Area
	A 1	GET0131-001A	INST.BOOK	1	ENG,FRE,SPE	
	A 2	GET0131-002A	USER MANUAL	1	ENG,FRE,SPE	
	A 3	GET0153-001A	CAUTION SHEET	1		
	A 4	LVT0717-001B	TROUBLE SHEET(C	1		
	A 5	BT-51018-3	WARRANTY CARD	1	KD-S690	
		BT-51029-1	WARRANTY CARD	1	KD-S7350	
	A 6	BT-52006-2	WARRANTY CARD	1	KD-S7350	
		BT-52006-1	WARRANTY CARD	1	KD-S690	
	A 7	BT-51028-2	J=REGIST CARD	1	FOR J	
	A 8	BT-20071B	JVC CENTER LIST	1	FOR C	
	A 9	VKZ4027-202	PLUG NUT	1		
	A 10	VKH4871-001SS	MOUNT BOLT	1		
	A 11	VKZ4328-001	LOCK NUT	1		
	A 12	WNS5000Z	WASHER	1		
	A 13	GE40130-001A	HOOK	2		
	A 14	FSJB3002-00C	CONNECTOR	1		
	A 15	GE20137-003A	MOUNTING SLEEVE	1		
	A 16	GE20135-003A	HOLDER PLATE	1	KD-S7350	
		GE20135-004A	HOLDER PLATE	1	KD-S690	
	A 17	RM-RK60	REMOCON	1		
	A 18	-----	LI BATTERY	1		
	A 19	QAM0013-006	16P CORD ASS'Y	1		
	K I T	KDGS717K-SCREW1	SCREW PARTS KIT	1	A9~A13	

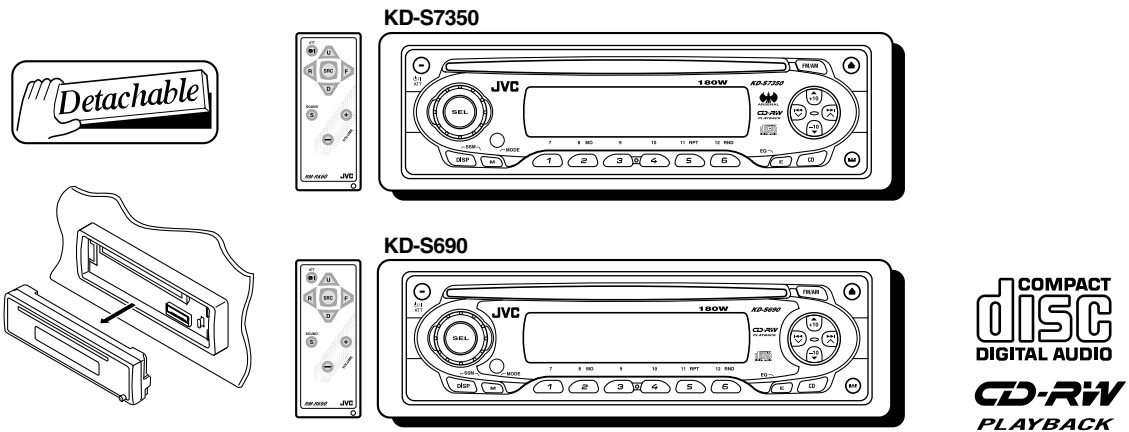
JVC

SCHEMATIC DIAGRAMS

CD RECEIVER

KD-S7350 / KD-S690

CD-ROM No.SML200302




Model	Rear LINE OUT terminal for front speaker
KD-S7350	Provide
KD-S690	Not provide

Area Suffix
J Northern America

Contents

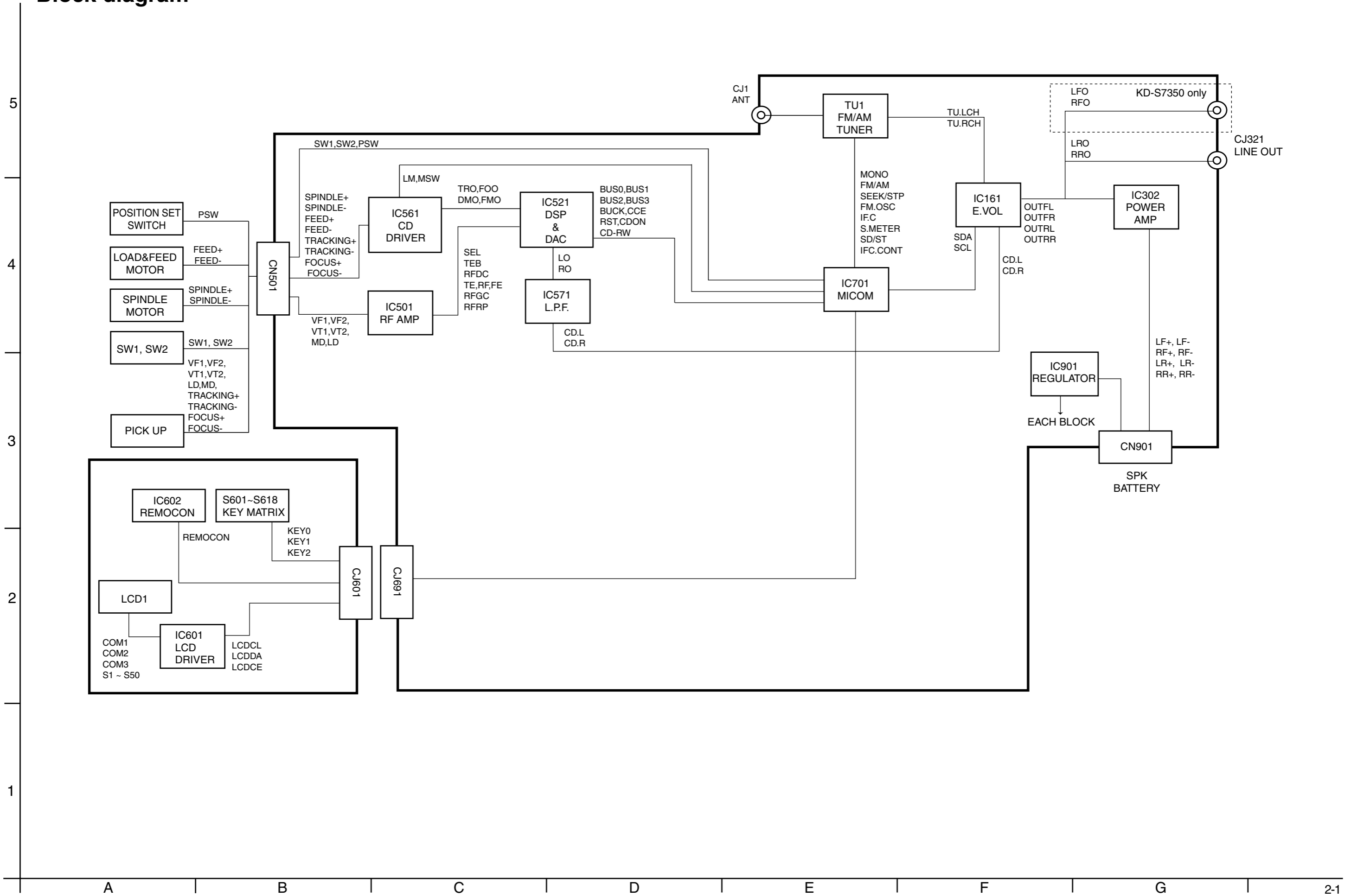
Block diagram 2-1
 Standard schematic diagrams 2-2
 Printed circuit boards 2-5,6

Safety precaution

 **CAUTION** Burrs formed during molding may be left over on some parts of the chassis. Therefore, pay attention to such burrs in the case of performing repair of this system.

 **CAUTION** Please use enough caution not to see the beam directly or touch it in case of an adjustment or operation check.

Block diagram



Standard schematic diagrams

■ Main amplifier section

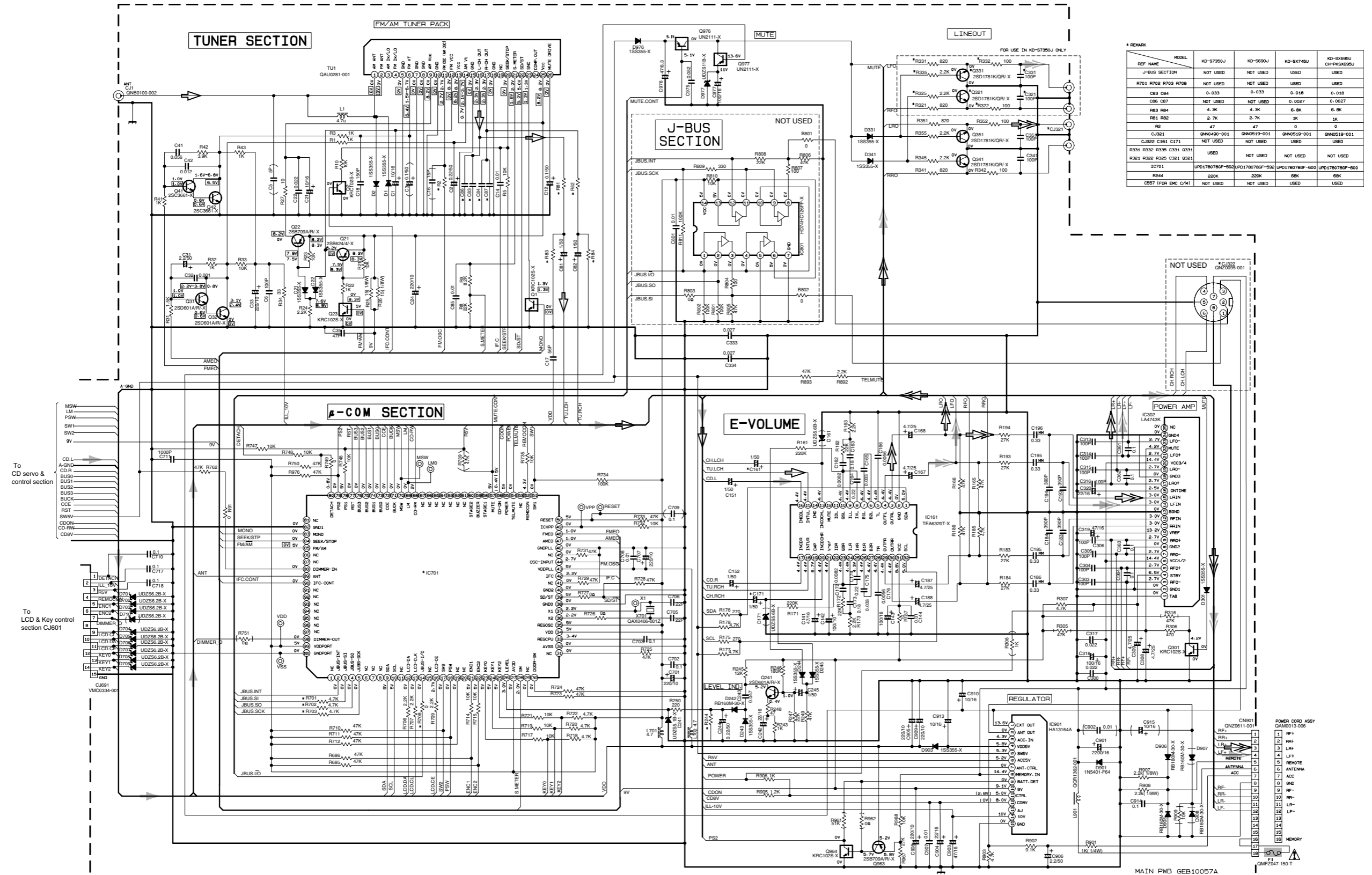
5

4

3

2

1



* REMARK

REF NAME	MODEL	KD-S7350J	KD-S690J	KD-SX45UJ	KD-SX695UJ
J-BUS SECTION		NOT USED	NOT USED	USED	USED
R701 R702 R703 R708		NOT USED	NOT USED	USED	USED
C83 C84		0.033	0.033	0.018	0.018
C86 C87		NOT USED	NOT USED	0.0027	0.0027
R83 R84		4.3K	4.3K	6.8K	6.8K
R81 R82		2.7K	2.7K	1K	1K
R2		47	47	0	0
CJ301		QNN0490-001	QNN0519-001	QNN0519-001	QNN0519-001
CJ302 CJ303 CJ304		NOT USED	NOT USED	USED	USED
R321 R322 R323 R324		USED	NOT USED	NOT USED	NOT USED
IC701		UPD1780786P-592	UPD1780786P-592	UPD1780786P-600	UPD1780786P-600
R344		200K	200K	50K	50K
C507 (FOR EMC C/W)		NOT USED	NOT USED	USED	USED

NOTES

- VOLTAGES ARE DC-MEASURED WITH A DIGITAL VOLT METER WITHOUT INPUT SIGNAL. CONDITION --- FM (--- AM MODE)
- UNLESS OTHERWISE SPECIFIED:
ALL RESISTOR ARE 1/16W ±5% METAL GLAZE RESISTOR.
ALL CAPACITORS ARE 50V OR 25V CERAMIC CAPACITOR.
ALL RESISTANCE VALUES ARE IN OHM.
ALL CAPACITANCE VALUES ARE IN uF (P=PF)
- ALL E-CAPACITORS ARE SHOWN IN THE FORM OF CAPACITANCE (uF)/RATED VOLTAGE (V)
MM—METALIZED POLYETHYLENE TEREPHTHALATE FILM CAPACITOR
- COMPONENT IN () INDICATE NOT USE. *--- REFER TO TABLE

Parts are safety assurance parts. When replacing those parts make sure to use the specified one.

- Tuner signal
- CD signal
- Front signal
- Rear signal

CD servo control section

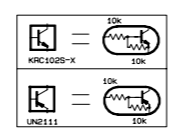
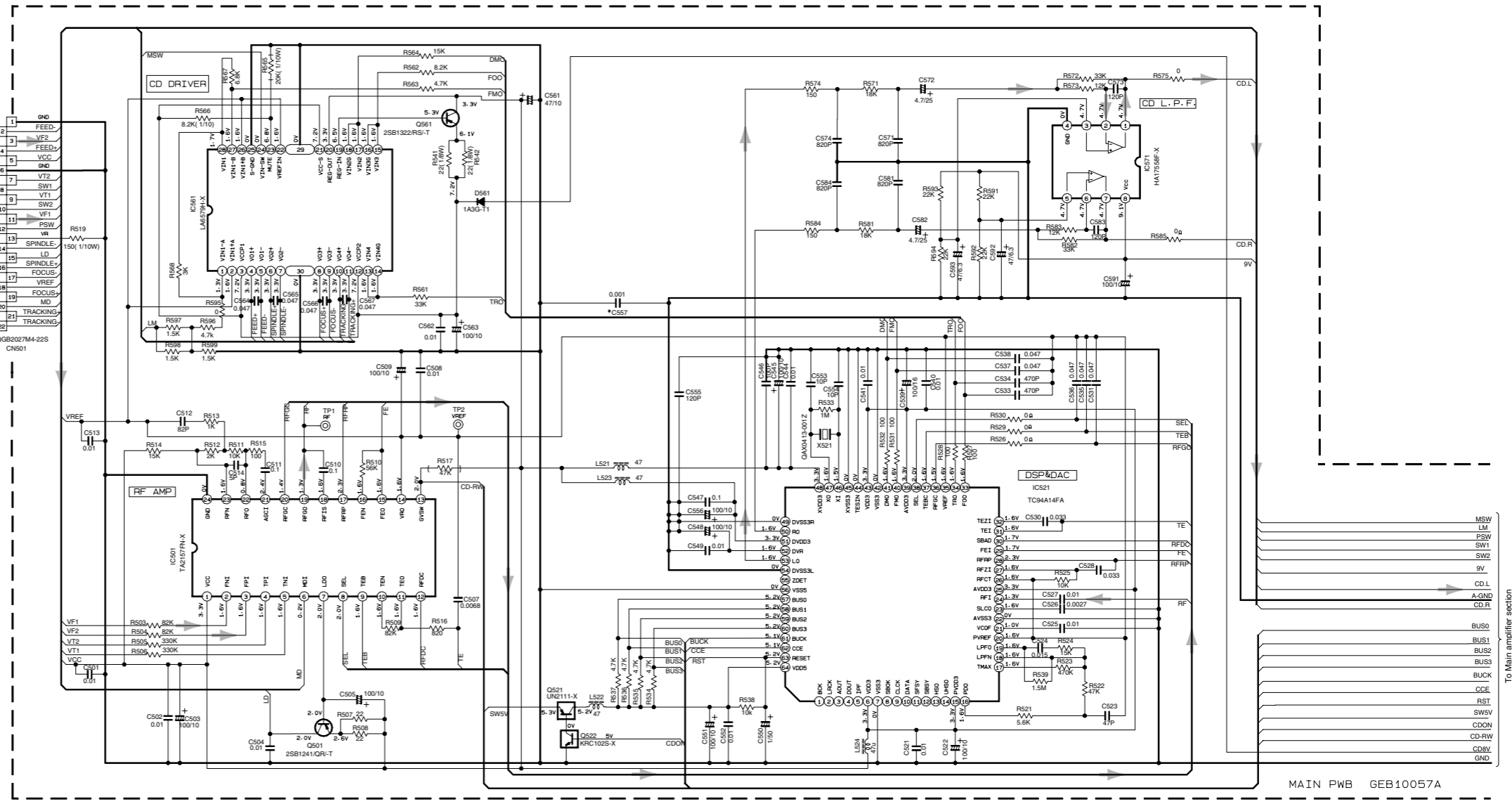
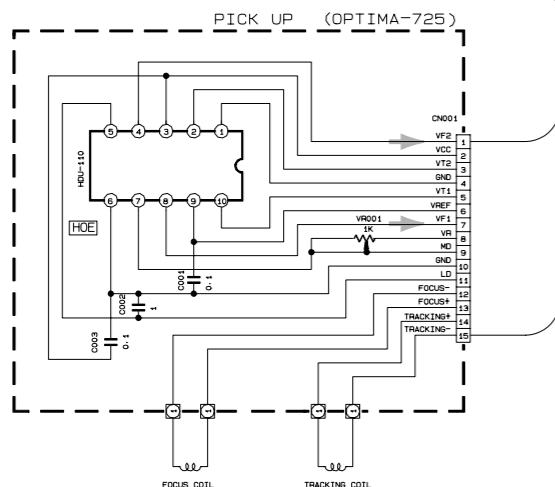
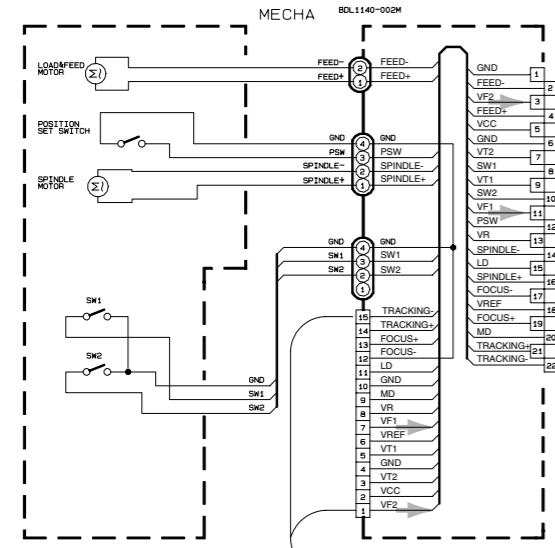
5

4

3

2

1



- NOTES
- VOLTAGES ARE DC-MEASURED WITH A DIGITAL VOLT METER WITHOUT INPUT SIGNAL CONDITION --- CD MODE.
 - UNLESS OTHERWISE SPECIFIED, ALL RESISTOR ARE 1/16W 25% METAL GLAZE RESISTOR. ALL CAPACITORS ARE 50V OR 25V CERAMIC CAPACITOR. ALL RESISTANCE VALUES ARE IN OHM. ALL CAPACITANCE VALUES ARE IN uF(PpF) ALL E. CAPACITORS ARE SHOWN IN THE FORM OF CAPACITANCE(uF)/RATED VOLTAGE(V)

➔ CD signal

MAIN PWB GEB10057A

To Main amplifier section

A

B

C

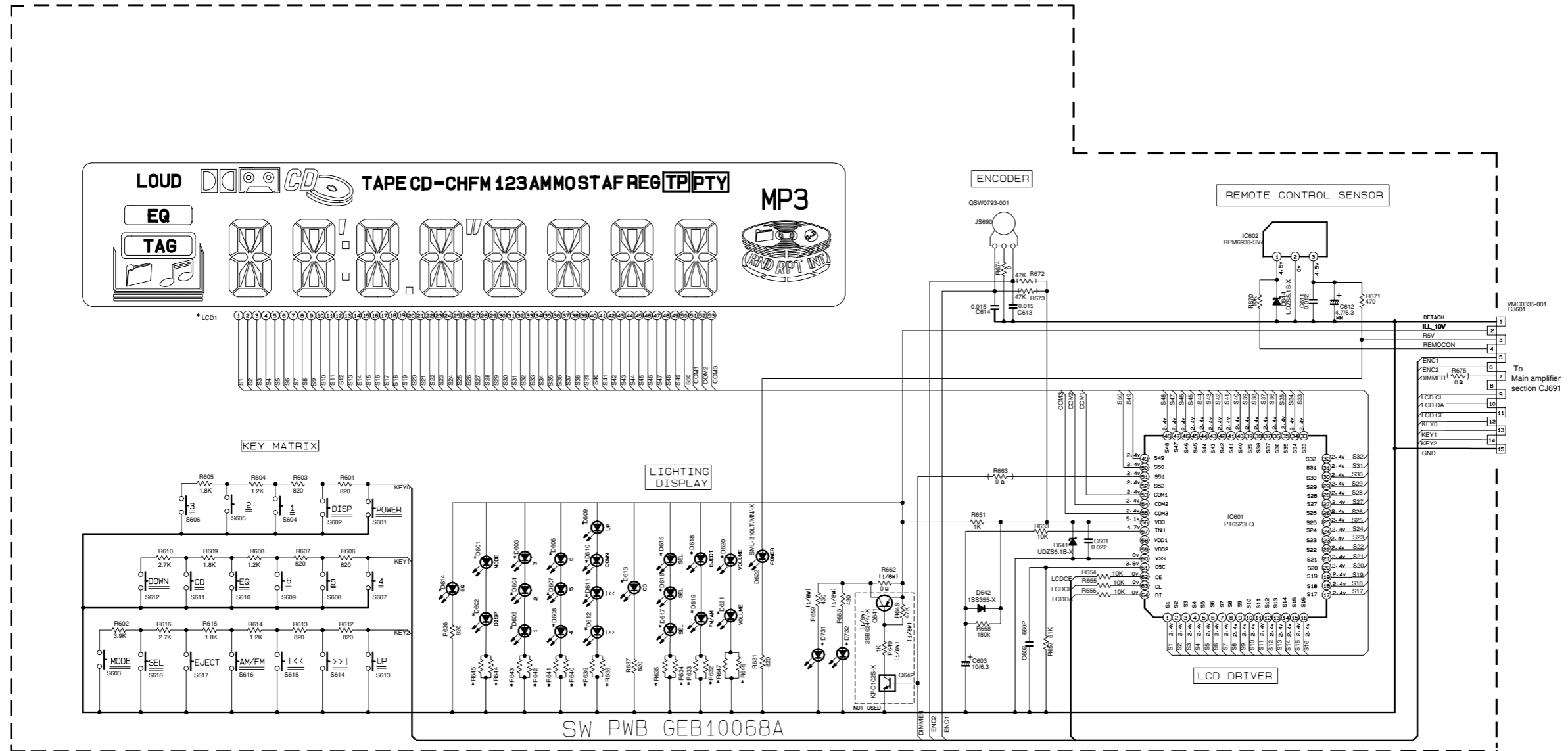
D

E

F

G

■ LCD & Key control section

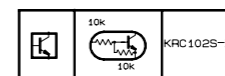


FRONT CIRCUIT BOARD SECTION

* REMARK

REF NAME	MODEL	KD-S690J	KD-S7350J	KD-S745U	KD-S695U CH-PKS695U
LCD1	QLD0254-001	QLD0254-001	QLD0254-001	QLD0252-001	
D731 D732	NSPW310B5/B2RS/	NSPW310B5/B2RS/	NSPW310B5/B2RS/	NSPW310B5/B2RS/	
D601-D621	SML-310V1/K/-X	SML-310V1/K/-X	SML-310V1/K/-X	LAJ308681/1-3/X	
R634-R635, R644-R645, R646-R647	1K	1K	1K	820	
R640, R641, R642, R643	680	680	680	510	
R636, R639	390	390	390	330	
R630, R633	1.2K	1.2K	1.2K	1K	

- NOTES
- VOLTAGES ARE DC-MEASURED WITH A DIGITAL VOLT METER WITHOUT INPUT SIGNAL.
 - UNLESS OTHERWISE SPECIFIED, ALL RESISTOR ARE 1/16W ±5% METAL GLAZE RESISTOR. ALL CAPACITORS ARE 50V OR 25V CERAMIC CAPACITOR. ALL RESISTANCE VALUES ARE IN OHM. ALL CAPACITANCE VALUES ARE IN uF (P=pF) ALL E. CAPACITORS ARE SHOWN IN THE FORM OF CAPACITANCE(uF)/RATED VOLTAGE(V) MM --- TANTAL CAPACITOR.



5

4

3

2

1

A

B

C

24

D

E

F

G

H

< M E M O >

KD-S7350/KD-S690

JVC

VICTOR COMPANY OF JAPAN, LIMITED

AV & MULTIMEDIA COMPANY 10-1, 1Chome, Ohwatari-machi, Maebashi-city, 371-8543, Japan

(No.49778SCH)



Printed in Japan
2003/02